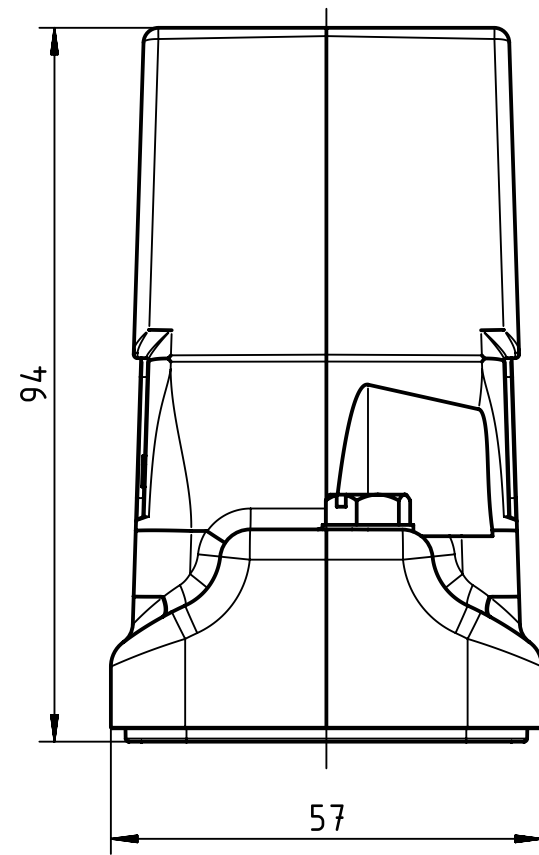
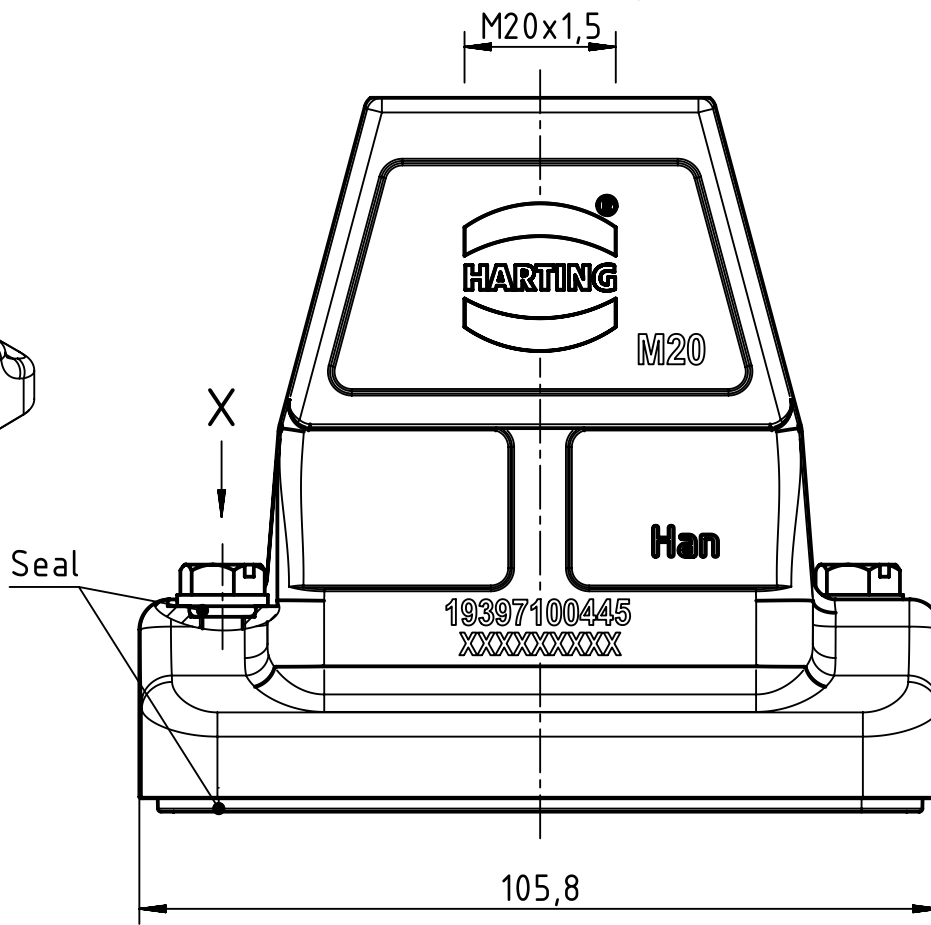
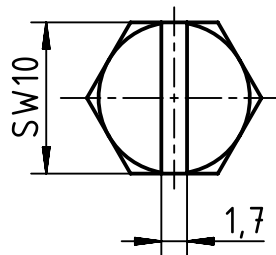
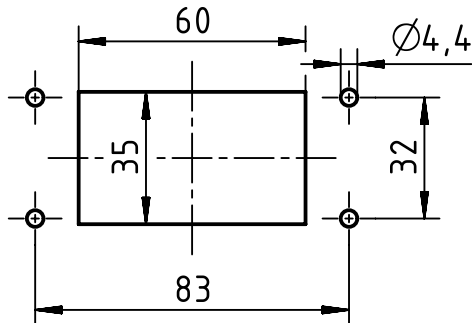


X (2:1)



Panel cut out (1:2)



	All rights reserved Department EL PD - CN	All Dimensions in mm Original Size DIN A4		Scale 1:1	Free size tol.	Ref.
		Created by LONGL	Inspected by WENE	Standardisation SCHMIDTM	Date 2017-03-20	State Final Release
HARTING (Zhuhai) Manufacturing Co., Ltd. 519085 Zhuhai, China		Title Han 10HP Direct/M-HTE-M20			Doc-Key / ECM-Nr. 100663880/UGD/002/C 500000116977	
		Type TB	Number 19 39 710 0445		Rev. C	Page 1/1