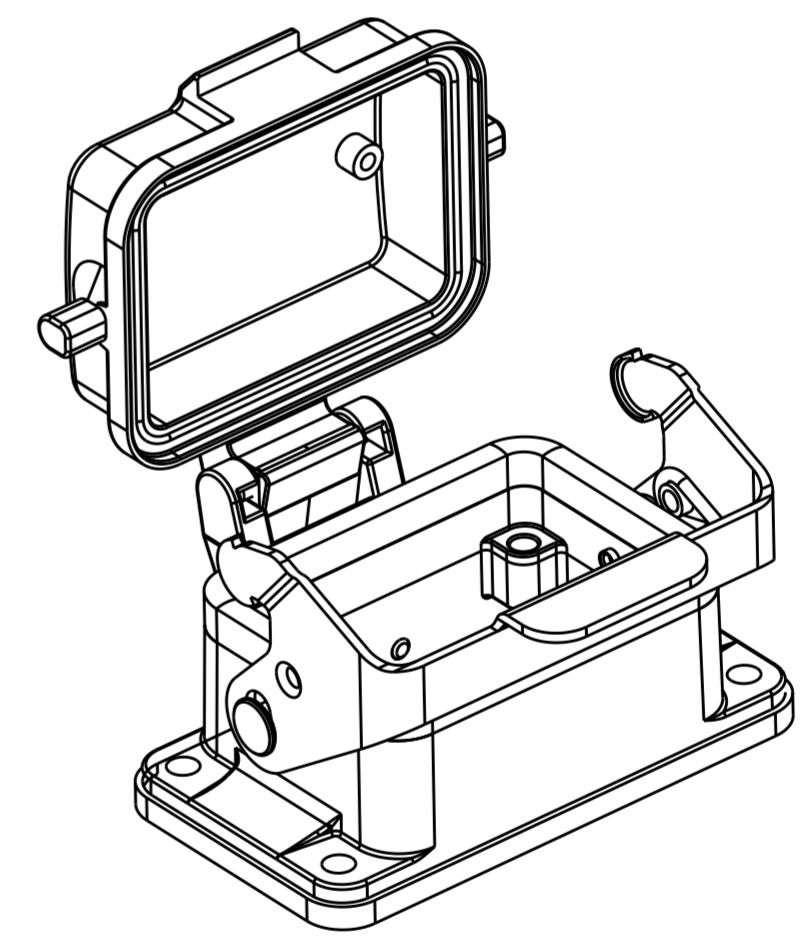
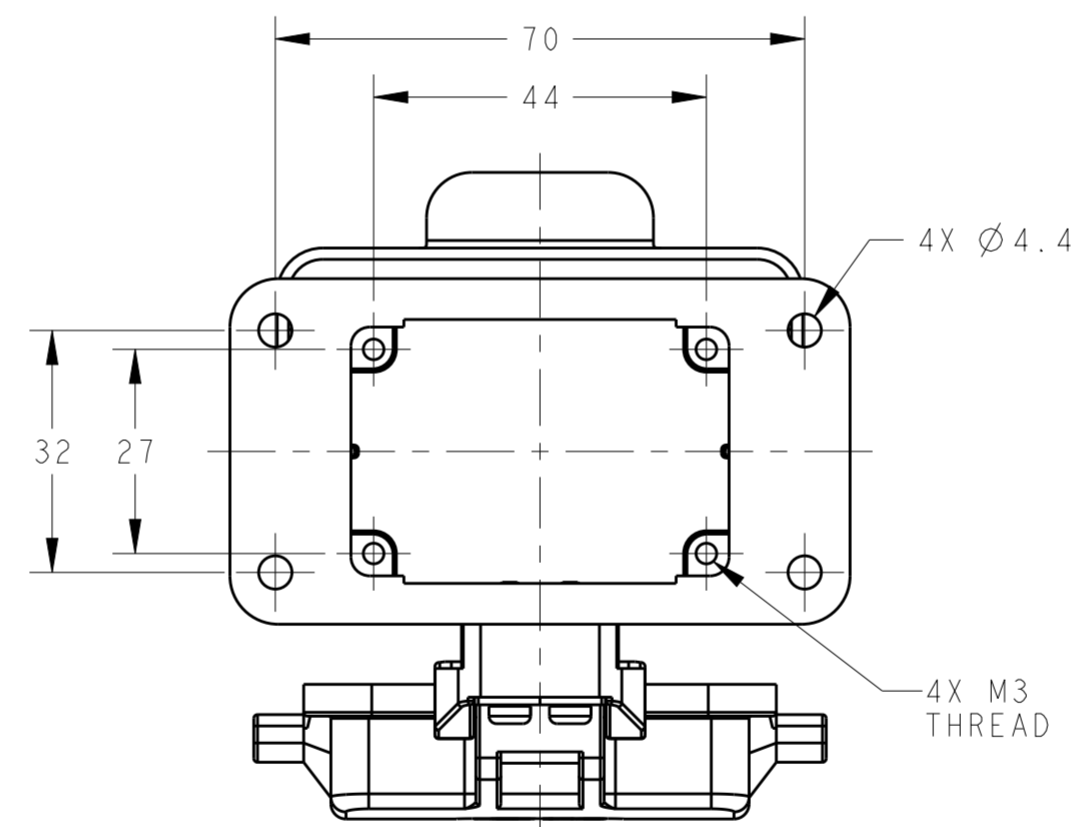
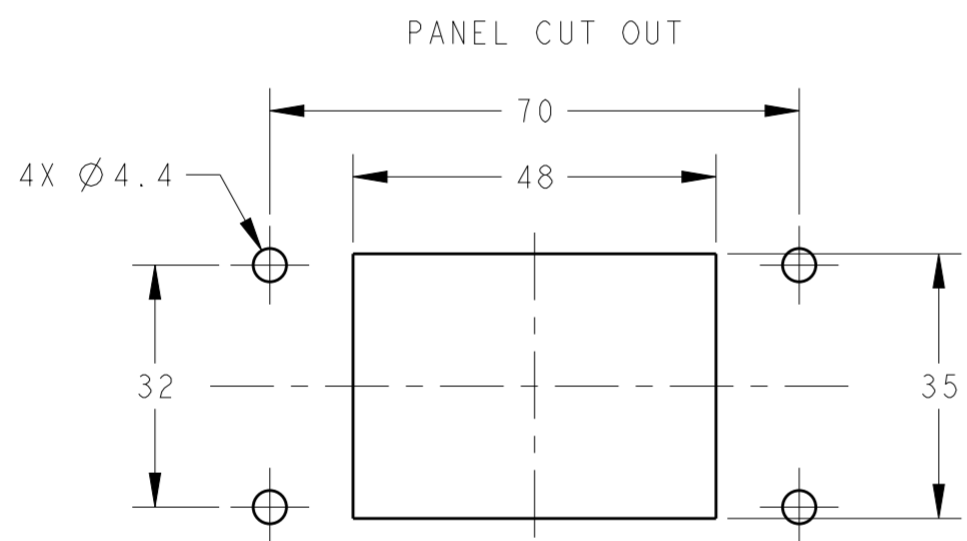
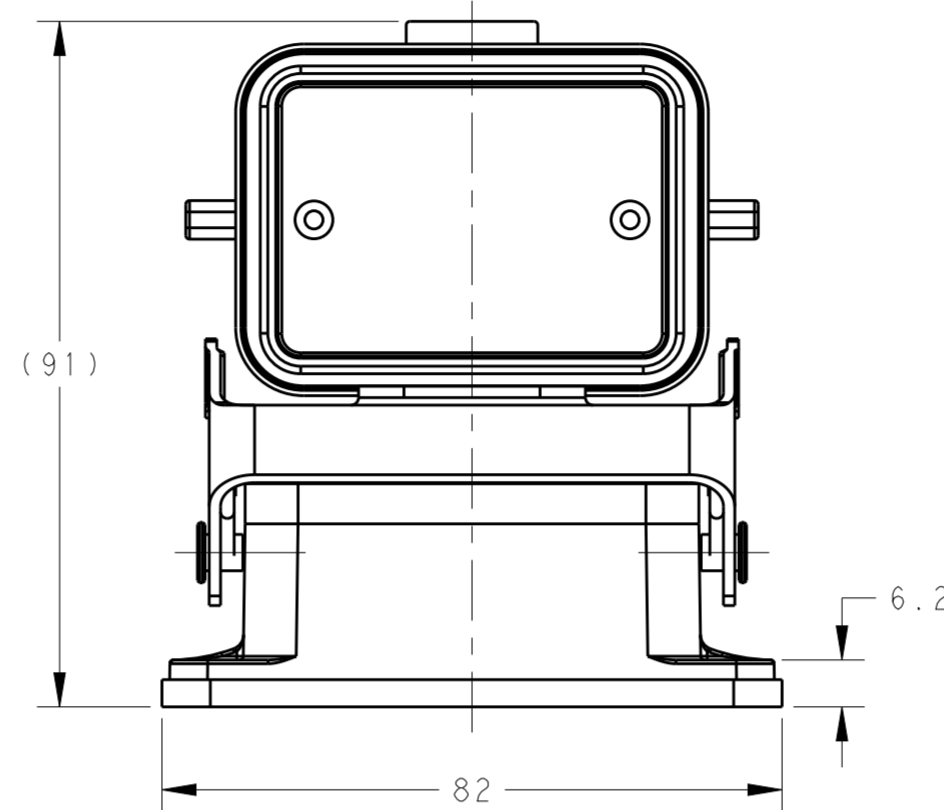
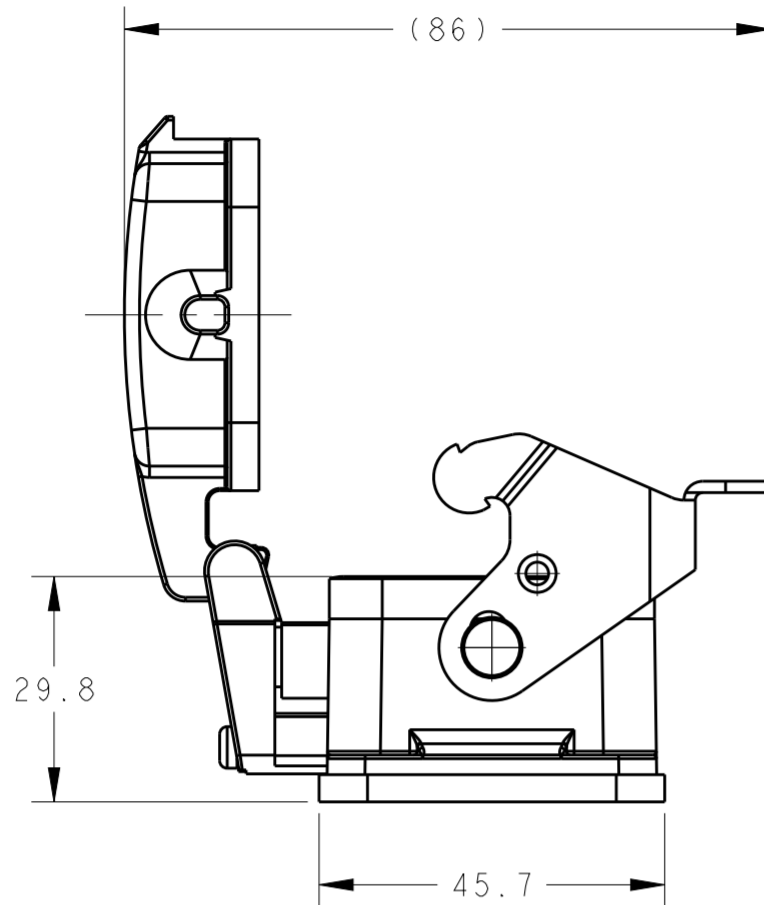


THIS DRAWING IS UNPUBLISHED. RELEASED FOR PUBLICATION 20
 © COPYRIGHT 20 BY - ALL RIGHTS RESERVED.

REVISIONS					
P	LTR	DESCRIPTION	DATE	DWN	APVD
A		INITIAL	18JUN2015	DW	CW
A1		ECR-15-012067	10AUG2015	DW	CW



NOTES:
 1. TECHNICAL CHARACTERISTICS:
 HOUSING MATERIAL: DIE CAST ALUMINIUM ALLOY
 SURFACE: POWDER COATED, GREY
 OPERATION TEMPERATURE: -40-+125°C
 DEGREE OF PROTECTION: IP65 (MATED)

注释:
 1. 技术参数:
 下壳材料: 铝合金
 表面处理: 粉末涂层, 灰色
 工作温度: -40-+125°C
 防护等级: IP65(配合)

T1510063000-000	H6B-AD
PART NUMBER	DESCRIPTION

THIS DRAWING IS A CONTROLLED DOCUMENT.		DWN 05JUN2015 David Wang	TE Connectivity																						
DIMENSIONS:		CHK 05JUN2015 Chris Wang																							
mm	TOLERANCES UNLESS OTHERWISE SPECIFIED:	APVD 05JUN2015 Xiang Xu	NAME H6B-AD																						
<table border="1"> <tr><td>0 PLC</td><td>±</td></tr> <tr><td>1 PLC</td><td>±</td></tr> <tr><td>2 PLC</td><td>±</td></tr> <tr><td>3 PLC</td><td>±</td></tr> <tr><td>4 PLC</td><td>±</td></tr> <tr><td>ANGLES</td><td>±</td></tr> <tr><td>FINISH</td><td>±</td></tr> </table>	0 PLC	±	1 PLC	±	2 PLC	±	3 PLC	±	4 PLC	±	ANGLES	±	FINISH	±	<table border="1"> <tr><td>PRODUCT SPEC</td><td>108-137013</td></tr> <tr><td>APPLICATION SPEC</td><td>114-137013</td></tr> <tr><td>WEIGHT</td><td>-</td></tr> </table>	PRODUCT SPEC	108-137013	APPLICATION SPEC	114-137013	WEIGHT	-	SIZE A2	CAGE CODE 00779	DRAWING NO G-T1510063000000	RESTRICTED TO -
0 PLC	±																								
1 PLC	±																								
2 PLC	±																								
3 PLC	±																								
4 PLC	±																								
ANGLES	±																								
FINISH	±																								
PRODUCT SPEC	108-137013																								
APPLICATION SPEC	114-137013																								
WEIGHT	-																								
MATERIAL	-	Customer Drawing	SCALE 1:1	SHEET 1	OF 1	REV A1																			