

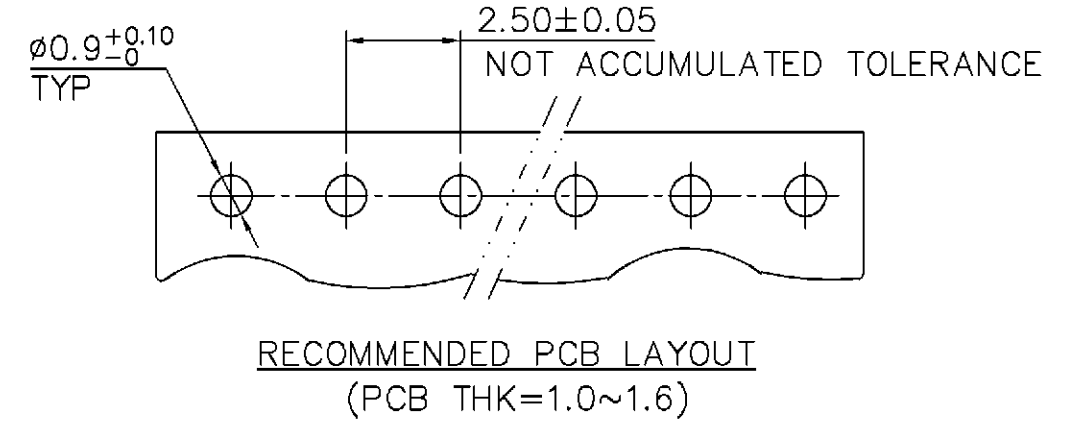
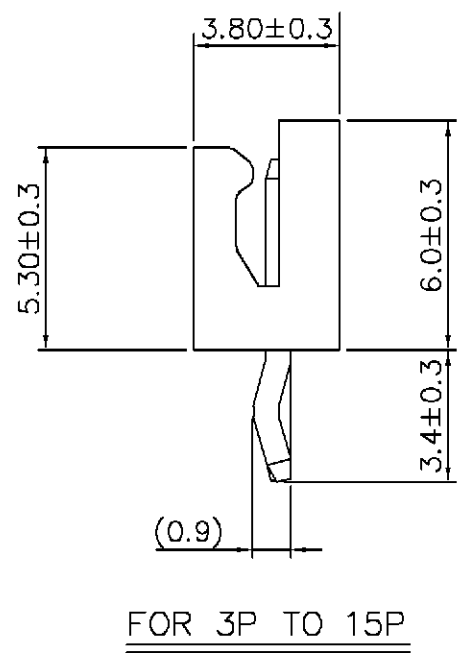
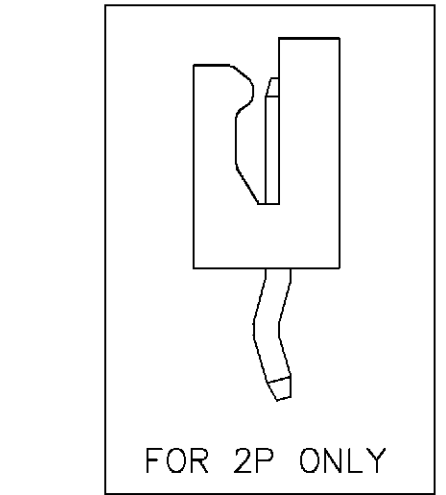
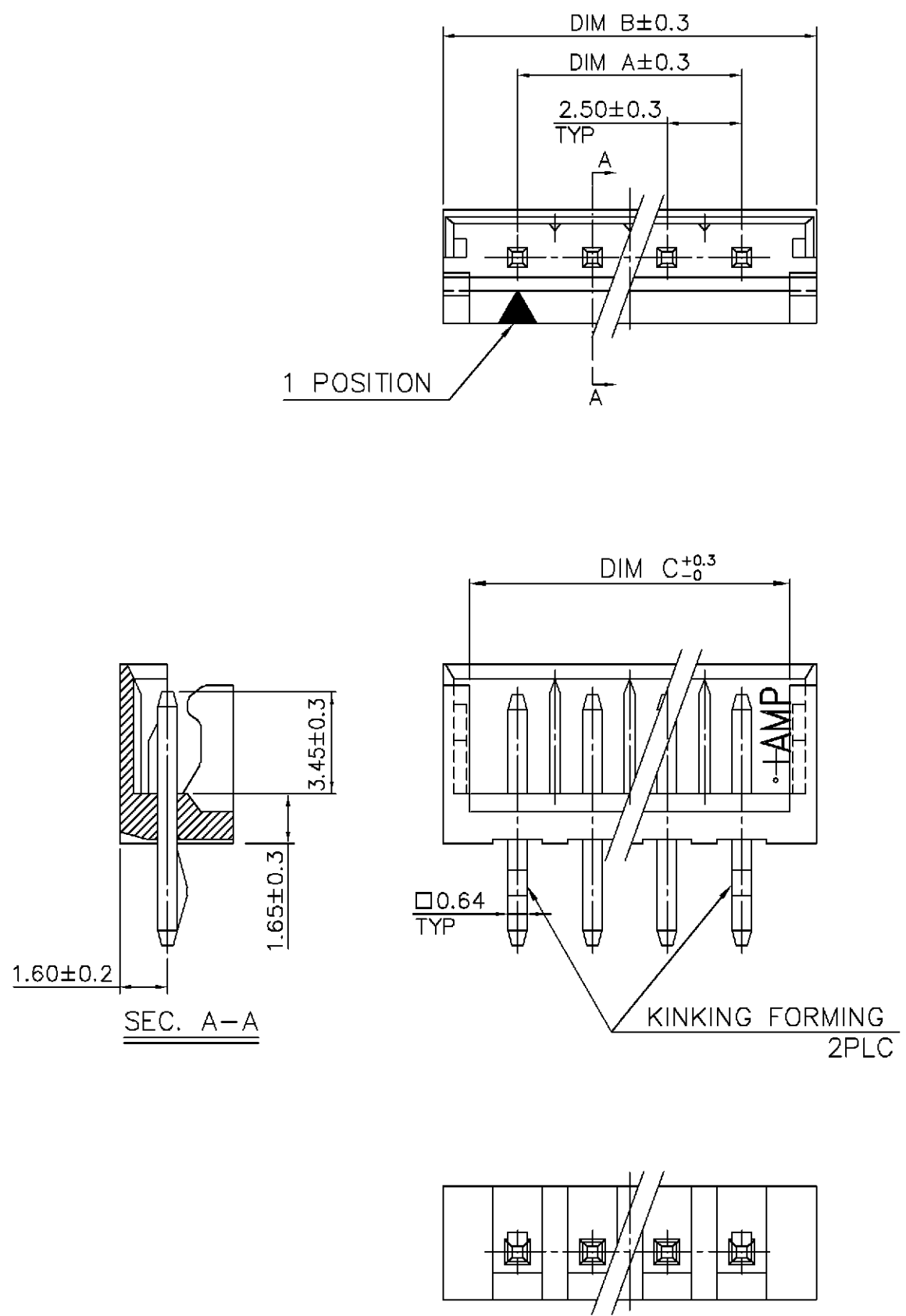
PRINT DIST DW 8 7 6 5 4 3 2 1

DIMENSIONS IN MILLIMETERS. DO NOT SCALE PRINT.

METRIC

3RD ANGLE PROJECTION

NUMBER C-440052



- NOTE:
- MATERIAL :
HOUSING : THERMOPLASTIC UL94V-0,
COLOR: SEE TABLE.
CONTACT : BRASS.
 - FINISH:
CONTACT : 80u" MIN. TIN PLATED ON CONTACT AREA.
 - WHEN EXTRACTING RECEPTACLE HOUSING FROM HEADER, NOT WIRE BUT RECEPTACLE HOUSING SHOULD BE GRIPED IN ORDER TO AVOID THE WIRE BREAKAGE.

39.2	40.0	35.00	15P	3-440052-5	1-440052-5
36.7	37.5	32.50	14P	3-440052-4	1-440052-4
34.2	35.0	30.00	13P	3-440052-3	1-440052-3
31.7	32.5	27.50	12P	3-440052-2	1-440052-2
29.2	30.0	25.00	11P	3-440052-1	1-440052-1
26.7	27.5	22.50	10P	3-440052-0	1-440052-0
24.2	25.0	20.00	9P	2-440052-9	440052-9
21.7	22.5	17.50	8P	2-440052-8	440052-8
19.2	20.0	15.00	7P	2-440052-7	440052-7
16.7	17.5	12.50	6P	2-440052-6	440052-6
14.2	15.0	10.00	5P	2-440052-5	440052-5
11.7	12.5	7.50	4P	2-440052-4	440052-4
9.2	10.0	5.00	3P	2-440052-3	440052-3
6.7	7.5	2.50	2P	2-440052-2	440052-2
DIM C	DIM B	DIM A	CIRCUITS	YELLOW	NATURAL
				HOUSING COLOR	
				PART NUMBER	

TOLERANCES UNLESS OTHERWISE SPECIFIED: 0 PLC ± 0.5 1 PLC ± 0.3 2 PLC ± 0.2 3 PLC ± 0.15 ANGLES ±	DWN	O. HU	
		27-SEP-2002	
MATERIAL SEE NOTE	CHK	J. CHENG	2.5 MM PITCH HPI VERTICAL POST HEADERS
		27-SEP-2002	
FINISH SEE NOTE	APVD	J. WU	LOC SIZE DRAWING NO REV DW A ₃ C-440052 C1
		27-SEP-2002	
	PRODUCT SPEC	108-57099	SCALE SHEET -- 1 OF 2
	APPLICATION SPEC		
	WEIGHT		

C1	REVISION RECORD	REVISD PER ECO-11-005301	RK HMR	5APR11
LTR		ECO	DWN CHK	DATE

CUSTOMER DRAWING

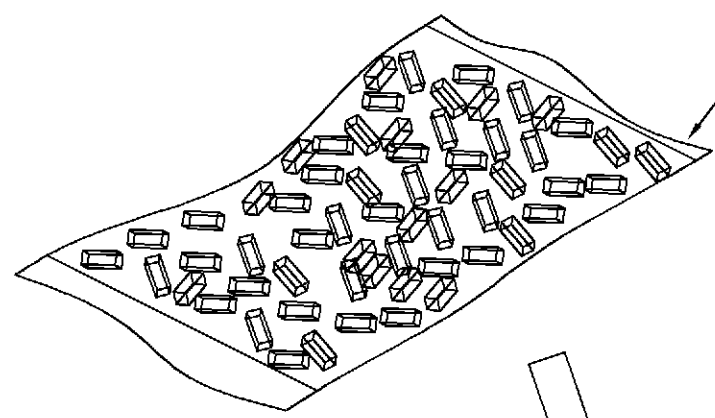
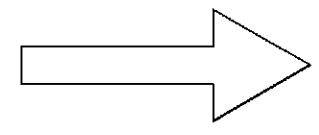
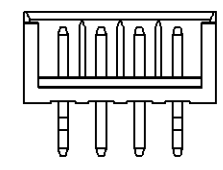
NUMBER
C-440052

3RD ANGLE PROJECTION

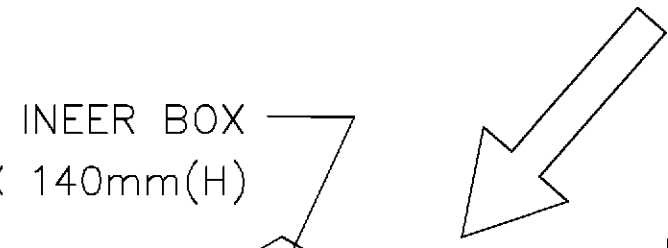
METRIC

DIMENSIONS IN MILLIMETERS. DO NOT SCALE PRINT.

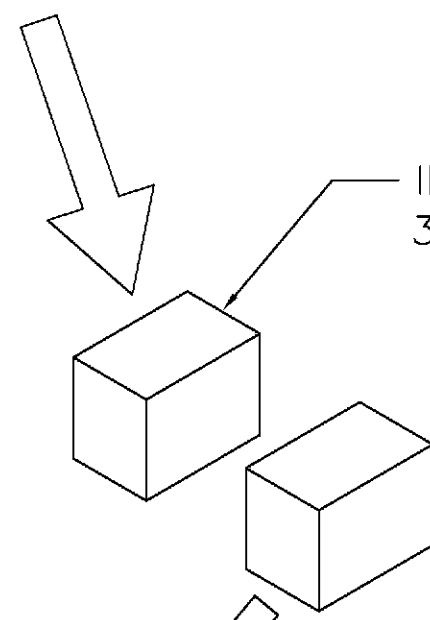
PRINT DIST
DW



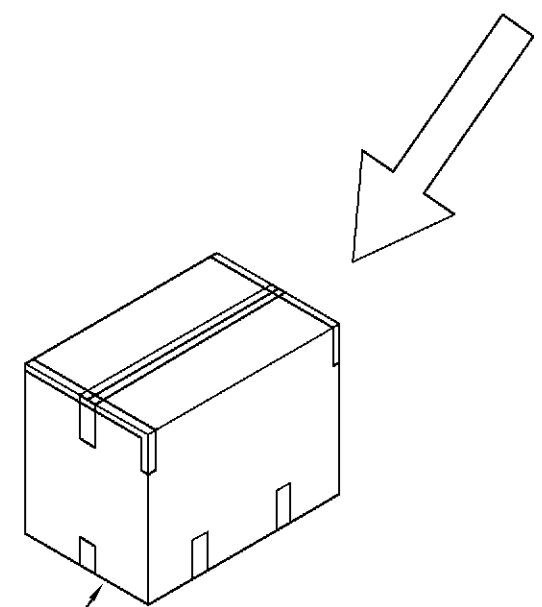
POLY BAG
127mm(L)X 203mm(W)X 0.07mm(H)



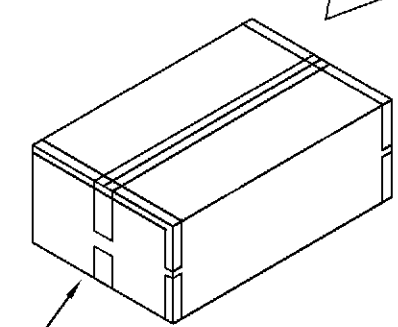
INEER BOX
320mm(L)X 220mm(W)X 140mm(H)



INEER BOX
320mm(L)X 220mm(W)X 140mm(H)



CARTON
340mm(L)X 470mm(W)X 316mm(H)
(FOR HEADER 6P~16P ONLY)



CARTON
340mm(L)X 470mm(W)X 168mm(H)
(FOR HEADER 2P~5P ONLY)

12,960	180	15P	3-440052-5	1-440052-5
12,000	200	14P	3-440052-4	1-440052-4
14,400	200	13P	3-440052-3	1-440052-3
16,000	250	12P	3-440052-2	1-440052-2
16,000	250	11P	3-440052-1	1-440052-1
20,000	250	10P	3-440052-0	1-440052-0
21,600	300	9P	2-440052-9	440052-9
25,200	350	8P	2-440052-8	440052-8
28,000	350	7P	2-440052-7	440052-7
35,000	350	6P	2-440052-6	440052-6
20,000	500	5P	2-440052-5	440052-5
24,000	600	4P	2-440052-4	440052-4
30,000	750	3P	2-440052-3	440052-3
36,000	1,000	2P	2-440052-2	440052-2
APQ (PCS/CARTON)	PPQ (PCS/BAG)	CIRCUITS	YELLOW	NATURAL
			HOUSING COLOR	
			PART NUMBER	

TOLERANCES UNLESS OTHERWISE SPECIFIED: 0 PLC ± 1 PLC ± 2 PLC ± 3 PLC ± ANGLES ±	DWN	O. HU	TE Connectivity 2.5 MM PITCH HPI VERTICAL POST HEADERS	
	CHK	J. CHENG		
MATERIAL SEE SHEET 1.	APVD	J. WU	LOC	SIZE
	PRODUCT SPEC	27-SEP-2002	DW	A ₃
FINISH SEE SHEET 1.	APPLICATION SPEC	DATE	DRAWING NO	REV
	WEIGHT	SCALE	C-440052	C1
		SHEET		2 OF 2

LTR	REVISION RECORD	SEE SHEET 1.	ECO	DWN	CHK	DATE
-----	-----------------	--------------	-----	-----	-----	------