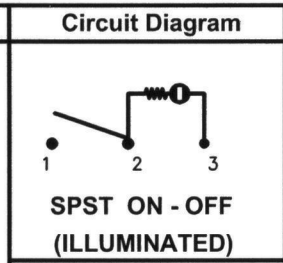
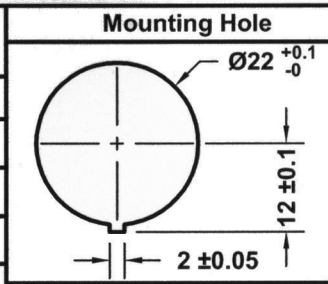


THIS INFORMATION IS CONFIDENTIAL AND PROPRIETARY TO CW INDUSTRIES INCORPORATED AND ITS AFFILIATES. IT MAY NOT BE DISCLOSED TO ANYONE, OTHER THAN CW INDUSTRIES PERSONNEL, WITHOUT WRITTEN AUTHORIZATION FROM CW INDUSTRIES INCORPORATED, SOUTHAMPTON, PENNSYLVANIA USA.

Rating	20A 125V AC
Contact Resistance	50m ohm max.
Insulation Resistance	DC 500V 100M ohm min.
Dielectric Strength	AC 1500V 1 minute
Operating Temperature	-25 °C ~ 85 °C
Switch Function	3P SPST ON-OFF (Illuminated)



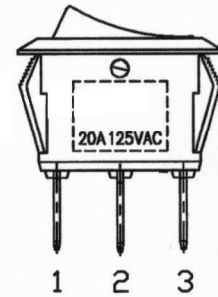
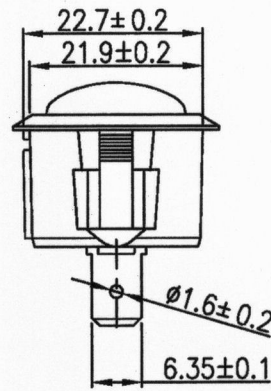
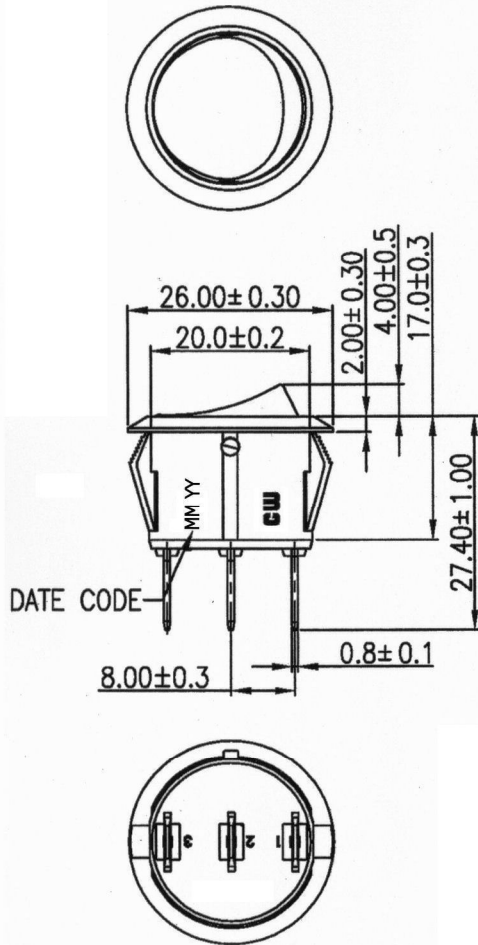
Cut-Out 1.0 ~ 3.0 mm thk.

MATERIAL:

Frame: Nylon 66 (94 V-2), Black

Actuator: PC (94 V-2), Red

Terminals: Silver plated Copper alloy.



RoHS Compliant

1 | Removed 16A 250V AC from rating.

CW INDUSTRIES
Southampton, Pa. 18966
Tel 215.355.7080/www.cwind.com

Date Drawn: 12/21/09

Rev. 1

Unit: mm

Checked By: **G.Guld**

Title:
ROCKER SWITCH

CW P/N:
GRB293B01BR