

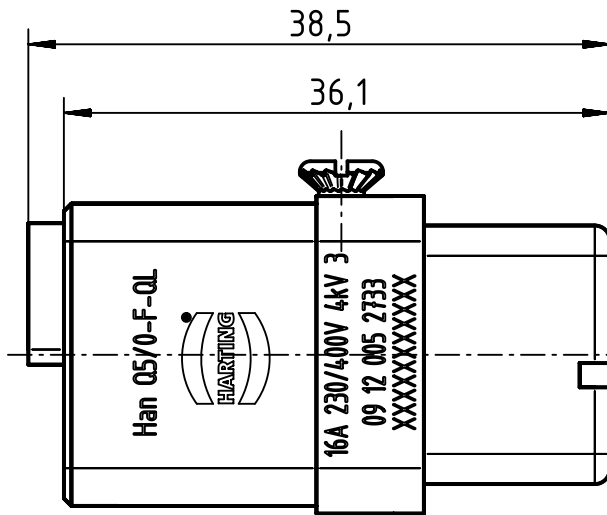
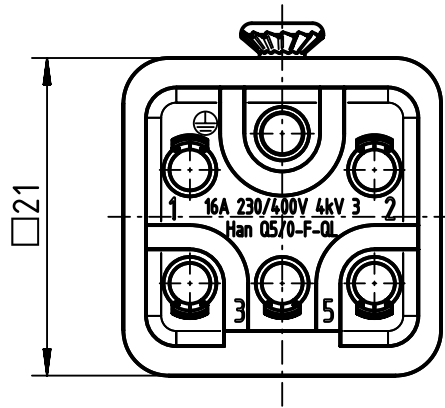
1 2 3 4 5 6

A

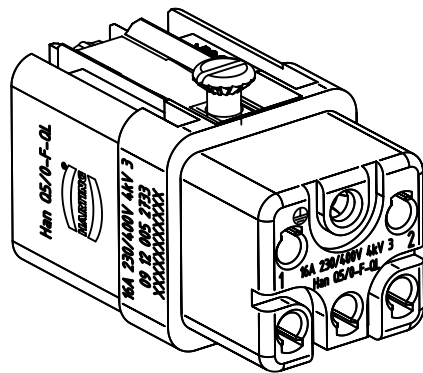
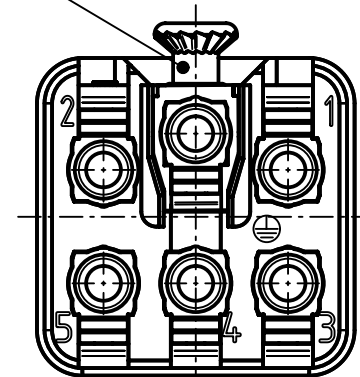
B

C

D



insert fixing screw M3x6
separately enclosed



Coating	A=	mm ²	V=	mm ³	m=	g	Mat.
All Dimensions in mm Original Size DIN A4	Scale 2:1	Free size tol.					Ref. Sub. TB 09 12 005 2733 vom 26.02.2010
All rights reserved Department EL PD - DE	Created by HOLLERT	Inspected by SCHNIEDER	Standardisation TIEMANNA	Date 2016-01-25	State Final Release		
HARTING Electric GmbH & Co. KG D-32339 Espelkamp	Title Han Q5/0-F-QL		Doc-Key / ECM-Nr. 100132566/UGD/006/C 500000099735			Rev. C	Page 1/1
	Type TB	Number 09 12 005 2733					