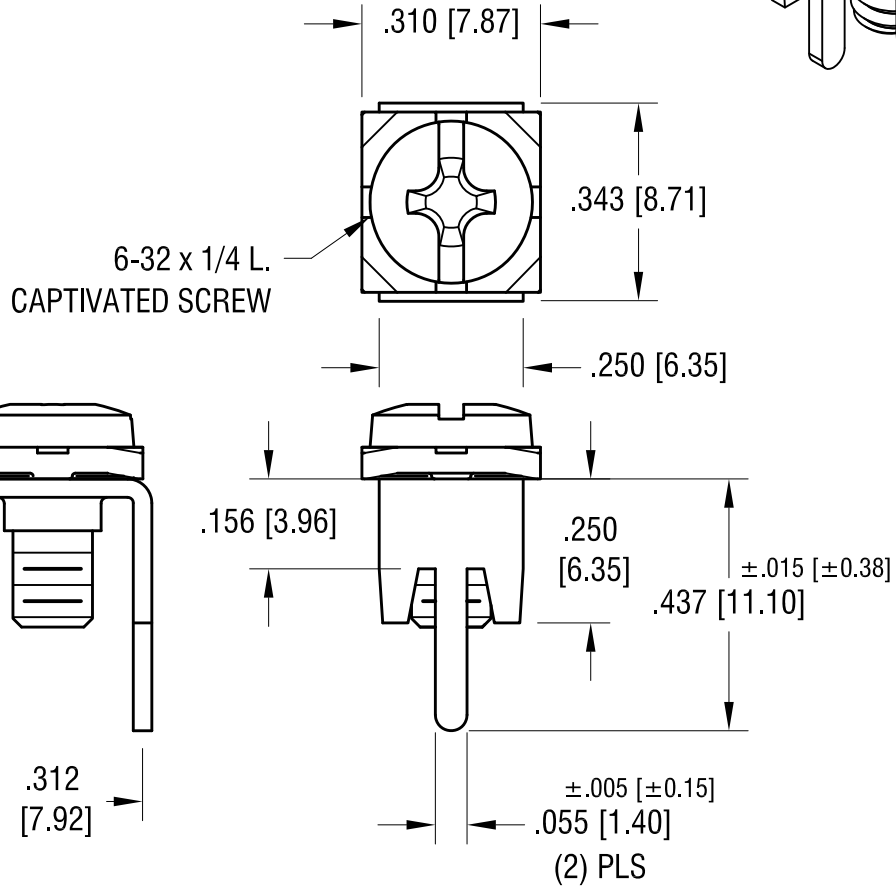
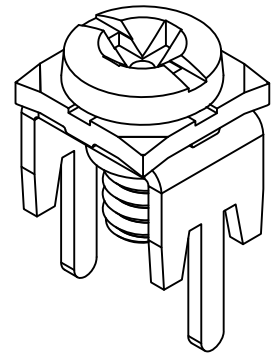
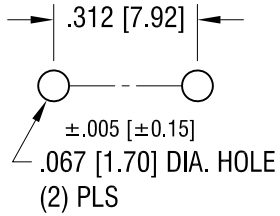


THIS DOCUMENT IS THE PROPERTY OF KEYSTONE ELECTRONICS CORP. AND SHALL NOT BE REPRODUCED, DISTRIBUTED OR USED AS A BASIS FOR MANUFACTURE WITHOUT PRIOR WRITTEN PERMISSION FROM KEYSTONE ELECTRONICS CORP.

MOUNTING DETAIL



NOTES:

- 1. TERMINAL:
 MAT'L - .032 [0.81] TH'K BRASS, MATTE TIN PLATE
- COMBINATION SEMS SCREW:
 MAT'L - STEEL, NICKEL PLATE

KEYSTONE ELECTRONICS CORP.			
www.keyelco.com • ASTORIA, N.Y. 11105-2017 • Tel (718) 956-8900			
PART NAME LOW-PROFILE PC SCREW TERMINAL			
MATERIAL AS NOTED			
FINISH AS NOTED		DRN BY NT	DATE 6.24.10
		APP'D LN	SCALE 3X
TOLERANCES INCH [MM]	CODE	DWG NO.	
DECIMAL ±.010 [±0.25]	C	7778-SEMS	
ANGULAR ± 1° UNLESS OTHERWISE SPECIFIED			

10.21.11	CHANGE AS PER ECN 11-134	A
DATE	DESCRIPTION	REV.