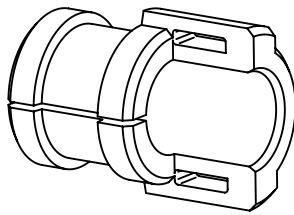
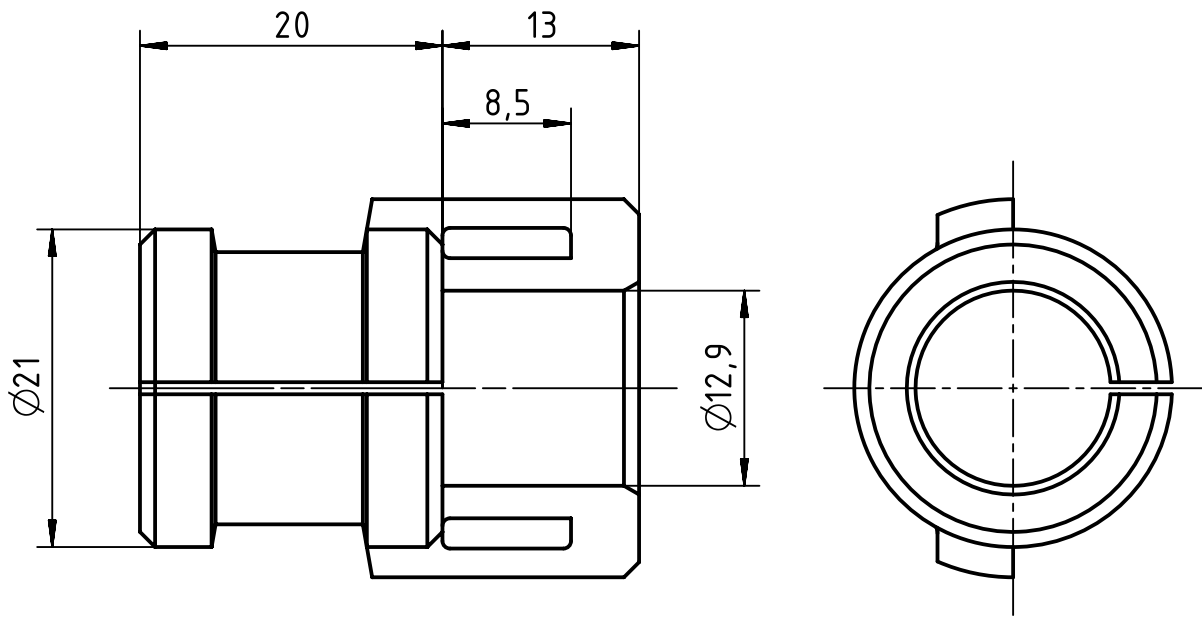


A

B

C

D



suitable cable Ø 12-13mm

	All Dimensions in mm Original Size DIN A4		Scale 2:1	Free size tol.		Ref.		
						Sub.		
	All rights reserved Department EL PD - DE		Created by DICK	Inspected by SCHNIEDER	Standardisation TIEMANNA	Date 2014-07-03	State Final Release	
	HARTING Electric GmbH & Co. KG D-32339 Espelkamp		Title Grommet 12-13mm KDT/Z12 for Split Hood				Doc-Key / ECM-Nr. 100085384/UGD/003/A 500000076557	
			Type TB	Number 09 00 000 5360			Rev. A	Page 1/1