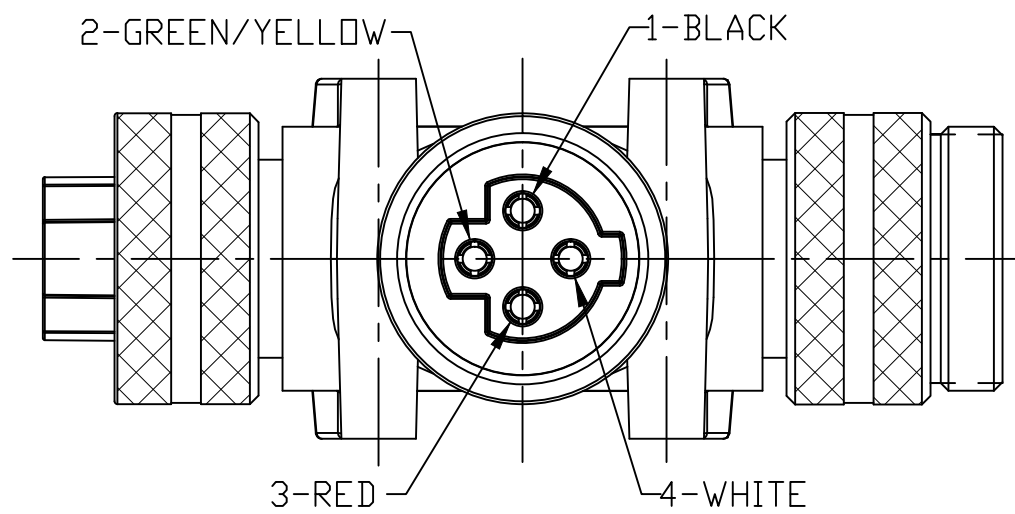
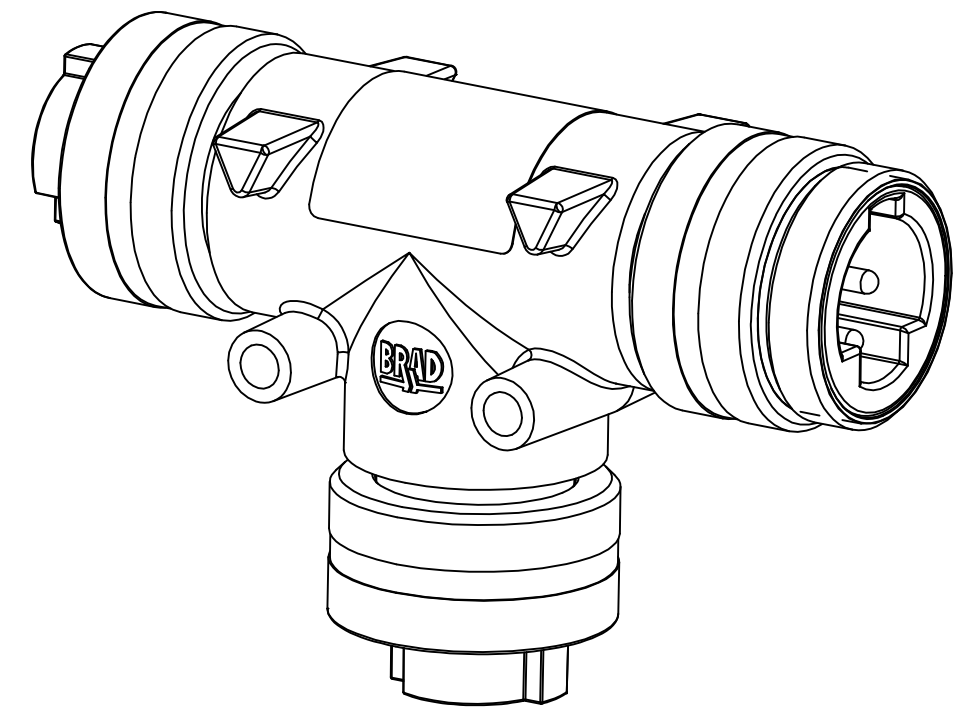
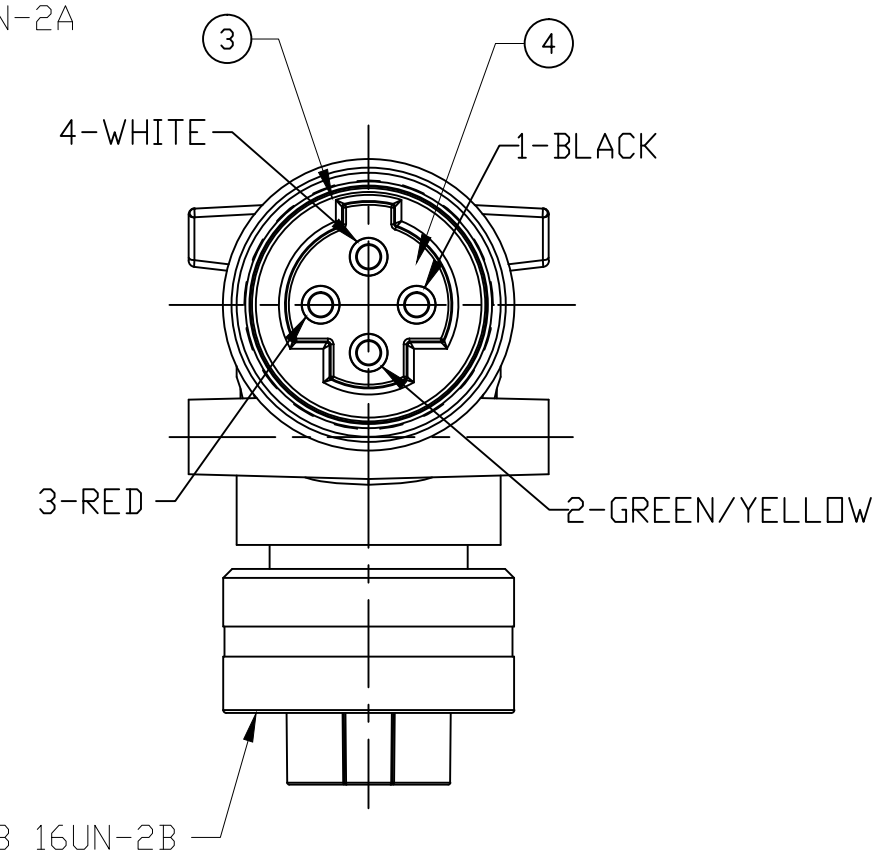
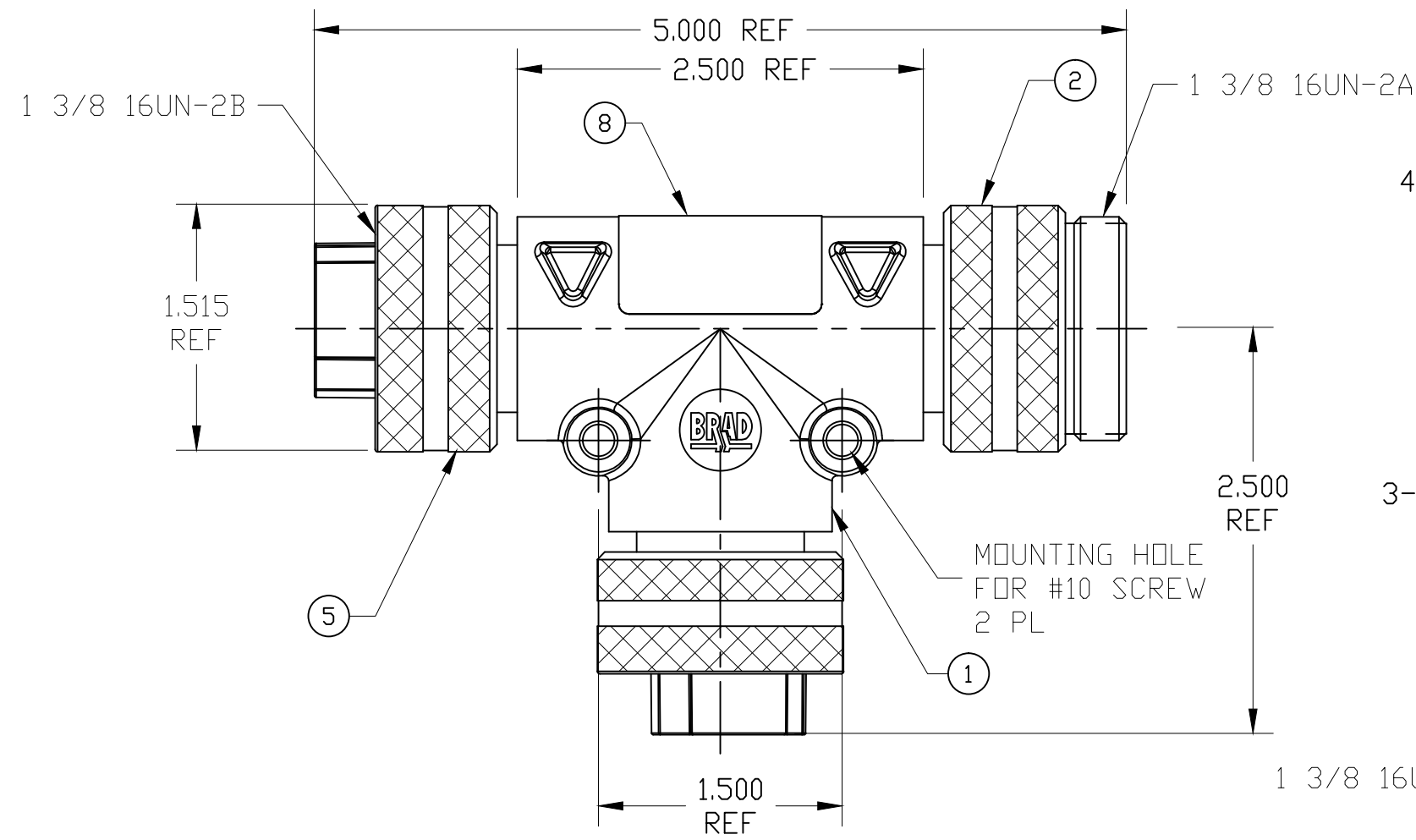
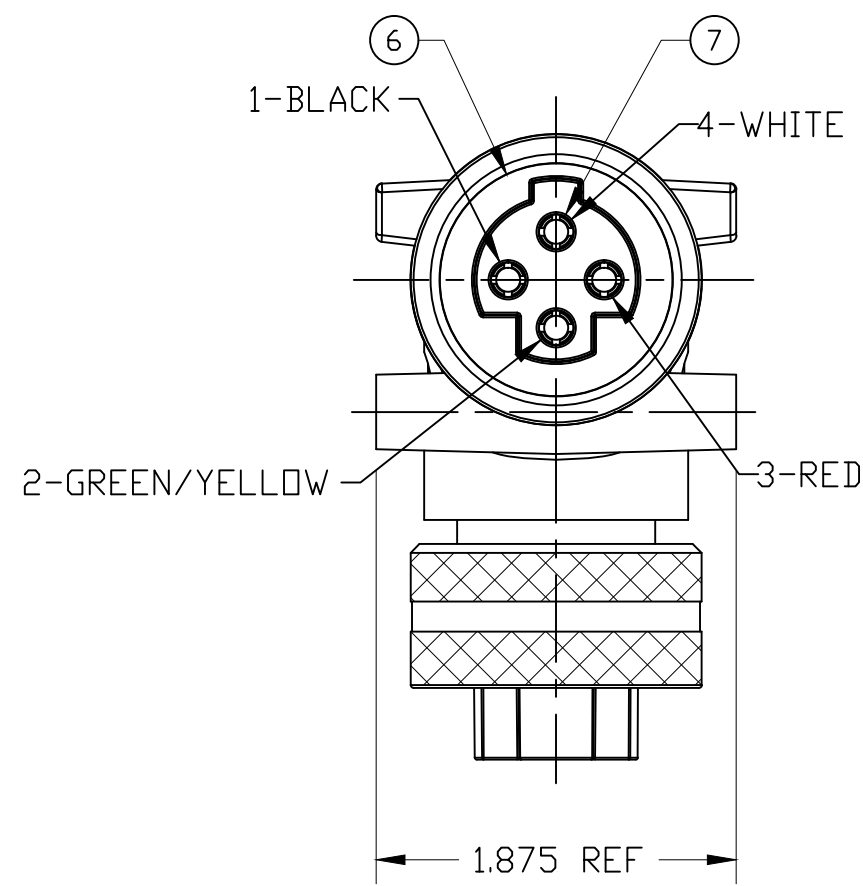
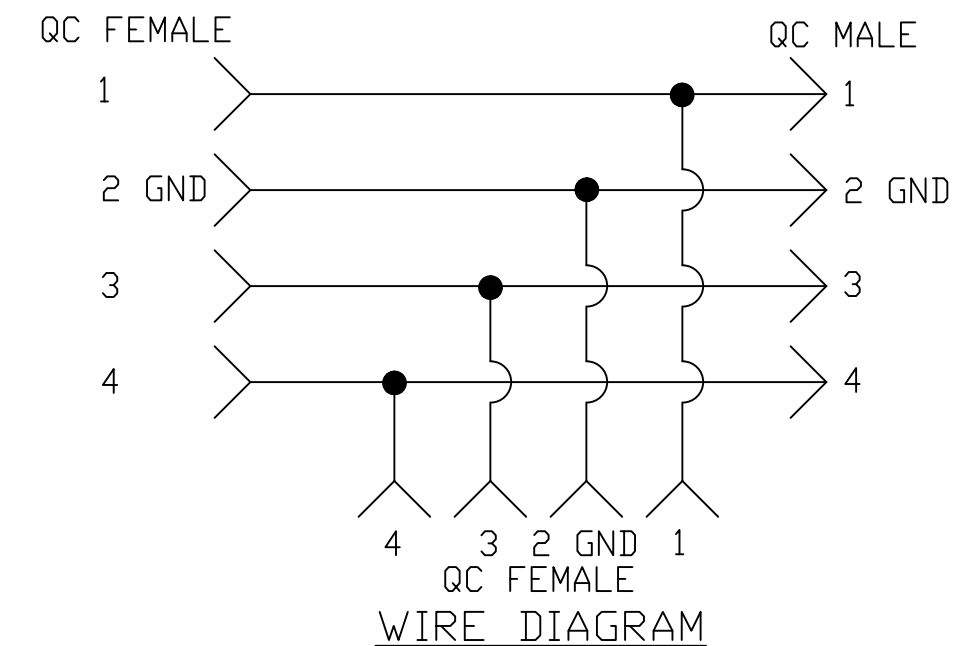


PART NUMBER	ENGINEERING NUMBER
1300680086	TC41C40-200



- NOTES:**
- MATERIAL: AS NOTED
 - FINISH: AS NOTED
 - ELECTRICAL:
 VOLTAGE: 480V PER IEC60664
 600V PER UL2237
 MAX THRU CURRENT: 32A (B)
 MAX DROP CURRENT: 32A
 - TEMP RATING: -20° TO +90°C
 - PROTECTION: IP67 (WHEN MATED)
 - CERTIFICATION:
 UL LISTED/CSA CERTIFIED FILE NO: E258922



8	LABEL	POLYESTER	BLACK/ORANGE
7	QC SOCKET CONTACT	COPPER ALLOY	GOLD PLATED
6	QC FEMALE INSERT	PVC	BLACK
5	QC FEMALE COUPLING NUT	ALUMINUM	BLACK ANODIZE
4	QC PIN CONTACT	COPPER ALLOY	GOLD PLATED
3	QC MALE INSERT	PVC	BLACK
2	QC MALE COUPLING NUT	ALUMINUM	BLACK ANODIZE
1	OVERMOLD	PVC	BLACK
ITEM	DESCRIPTION	MATERIAL	FINISH

REV'D NOTE 3, COLORS EC NO.: IPG2017-0829 DRWN: RSTONE 3/3/17 CH'KD: K COX 2017/03/10 APPR: BWOODMAN 2010/01/15	QUALITY SYMBOL	GENERAL TOLERANCES (UNLESS SPECIFIED)	DIMENSION STYLE	SCALE	DESIGN UNITS	THIRD ANGLE PROJECTION
	$\nabla=0$ $\sphericalangle=0$	4 PLACES ±--- ±--- 3 PLACES ±--- ±--- 2 PLACES ±--- ±--- 1 PLACE ±--- ±---	INCH	---	INCH	
	DRAFT WHERE APPLICABLE MUST REMAIN WITHIN DIMENSIONS	DRAWN BY DATE KJOZWIK 2010/01/14 CHECKED BY DATE BWOODMAN 2010/01/14 APPROVED BY DATE JFMURPHY 2010/01/15	TITLE	BRAD POWER QC 4 POLE TEE W/4 POLE QC DROP		
	MATERIAL NO. SEE TABLE	DOCUMENT NO. SD-130068-012	SHEET NO. 1 OF 1	MOLEX INCORPORATED		
SIZE C	THIS DRAWING CONTAINS INFORMATION THAT IS PROPRIETARY TO MOLEX INCORPORATED AND SHOULD NOT BE USED WITHOUT WRITTEN PERMISSION					