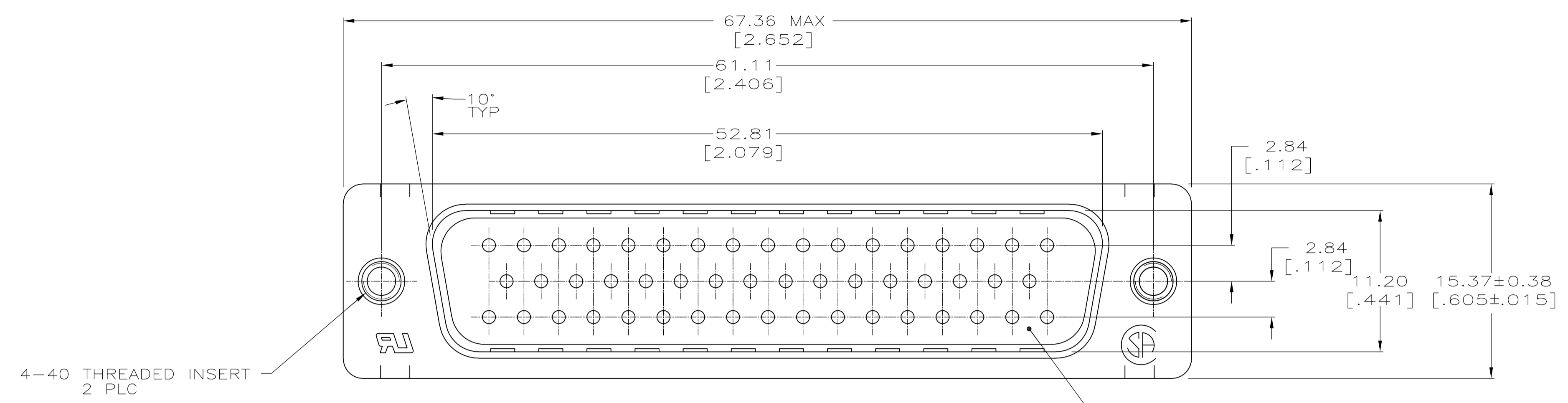
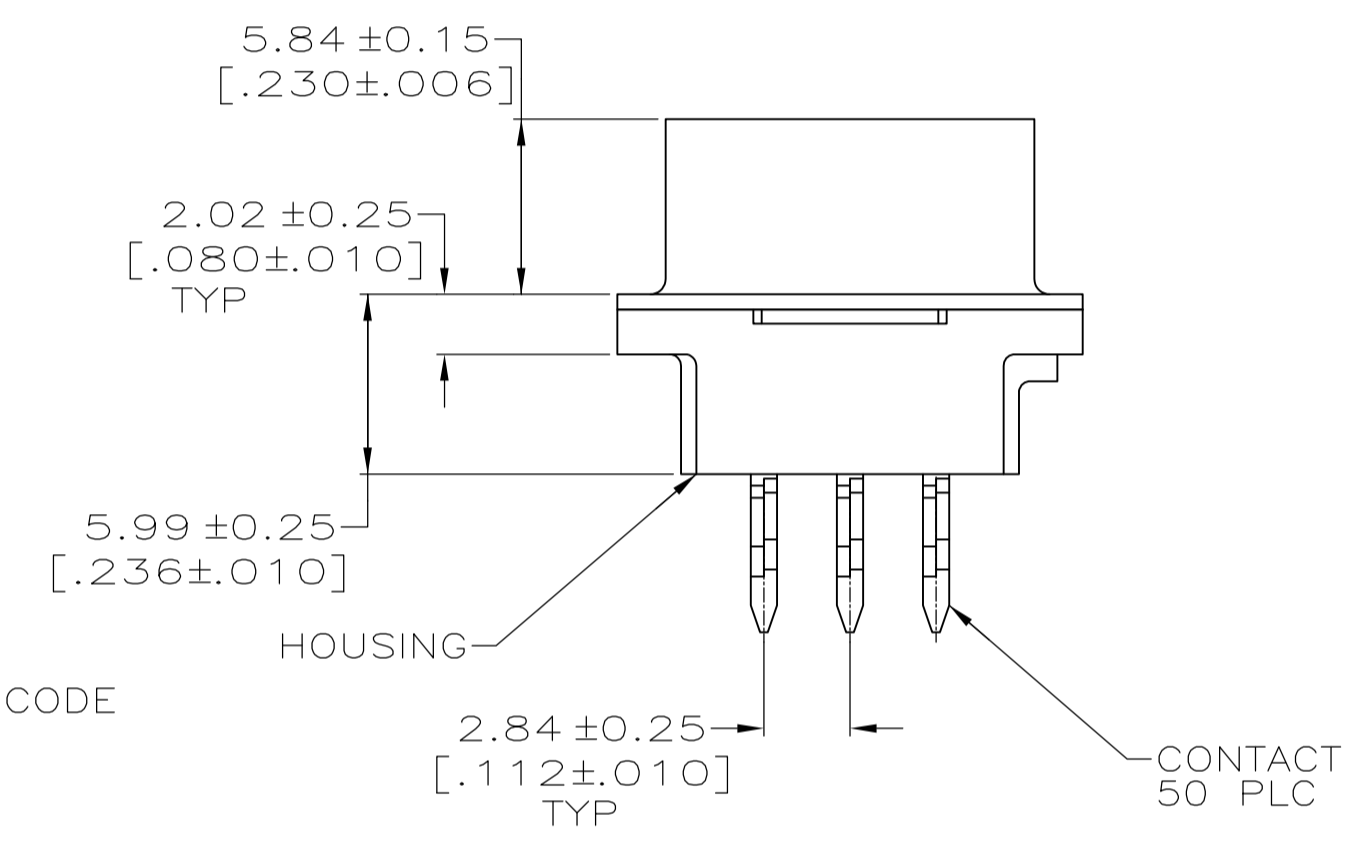
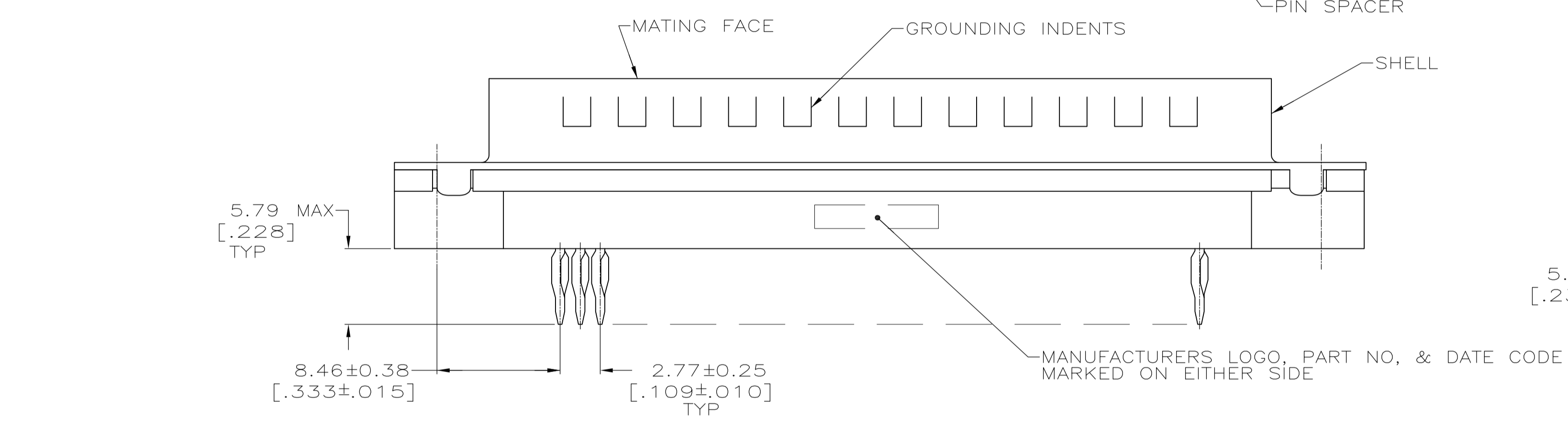


LOC		DIST		REVISONS			
GP	00	REV	DATE	BY	CHK	APPV	
C		REVISED PER ECO-12-000090	27JAN2012	CJV	SLB		



- 1 SHELL: 5.08μm[.000200] MIN TIN OVER 2.54μm[.000100] MIN COPPER.
- 2 MOLDED PARTS: UL 94V-0 RATED, POLYESTER, BLACK.
- 3 FOR USE WITH 2.36 [.093] MINIMUM THICK PRINTED CIRCUIT BOARD. REFER TO APPLICATION SPECIFICATION FOR PRINTED CIRCUIT BOARD LAYOUT DIMENSIONS AND FINISH RECOMMENDATIONS.
- 4 CONTACTS:
 0.76 MICRO METERS [.000030] MINIMUM GOLD IN MATING AREA.
 2.54 MICRO METERS [.000100] MINIMUM TIN ON COMPLIANT PIN.
 ALL OVER 1.27 MICRO METERS [.000050] MINIMUM NICKEL.
 OR
 GOLD FLASH OVER PALLADIUM NICKEL.
 0.76 MICRO METERS [.000030] MINIMUM TOTAL IN MATING AREA.
 2.54 MICRO METERS [.000100] MINIMUM TIN ON COMPLIANT PIN.
 ALL OVER 1.27 MICRO METERS [.000050] MINIMUM NICKEL.
- 5 CONTACTS: BRASS
- 6 SHELL: CARBON STEEL
- 7 INSERTS: BRASS



**COPYRIGHT 2005
 TYCO ELECTRONICS CORP
 ALL RIGHTS RESERVED**

5749892-1
 PART NO

THIS DRAWING IS A CONTROLLED DOCUMENT. DIMENSIONING AND TOLERANCING PER ASME Y14.5M-2009		DIN J. ALCORTA - DOCK5 04-06-05	CHK S. BOLASH 04-06-05	APVD M. WALMSLEY 04-06-05	NAME
DIMENSIONS: INCHES		TOLERANCES UNLESS OTHERWISE SPECIFIED:		PRODUCT SPEC	
0 PLC ± -		1 PLC ± -		108-40014	
2 PLC ± 0.13 [.005]		3 PLC ± -		APPLICATION SPEC	
4 PLC ± -		ANGLES ± ±		114-40026 3	
MATERIAL	FINISH	WEIGHT	SIZE	CAGE CODE	DRAWING NO
2 5 6 7	4	-	A1	00779	5749892
CUSTOMER DRAWING			SCALE	SHEET	REV
			4:1	1 of 1	C



CONNECTOR ASSEMBLY, PLUG, SIZE 5,
 50 POSN. ACTION PIN, FRONT METAL
 SHELL, W/ PIN SPACER, AMPLIMITE