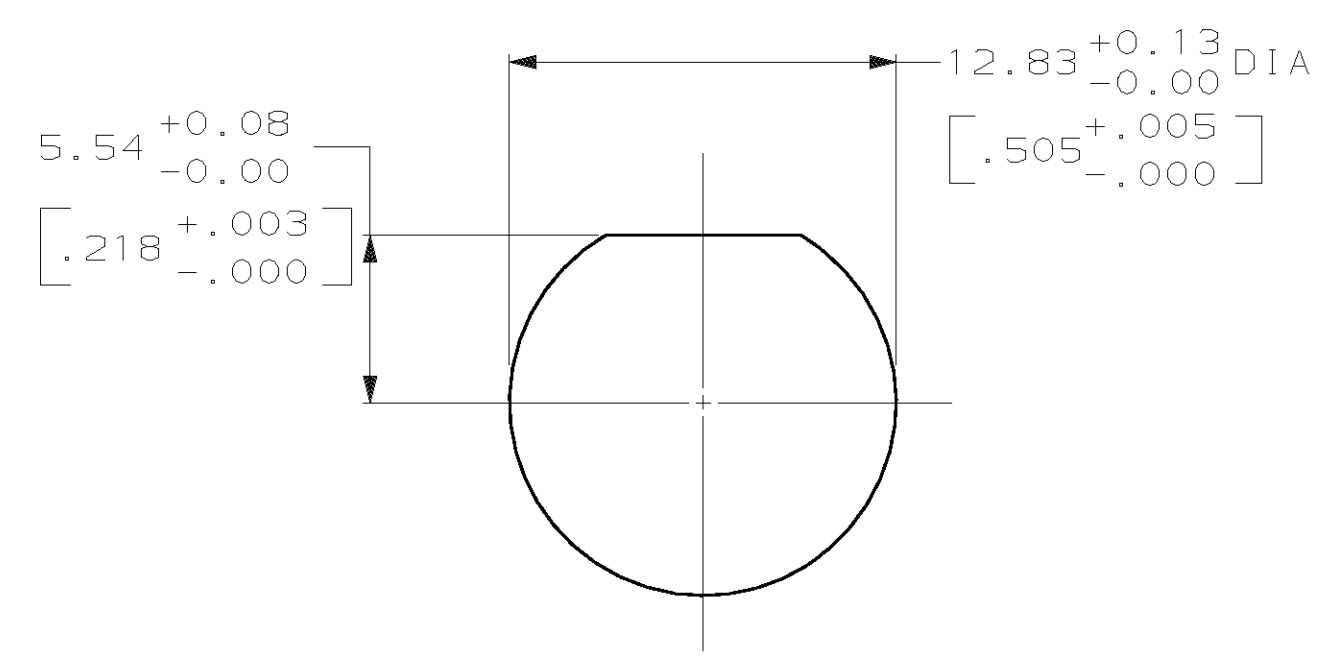
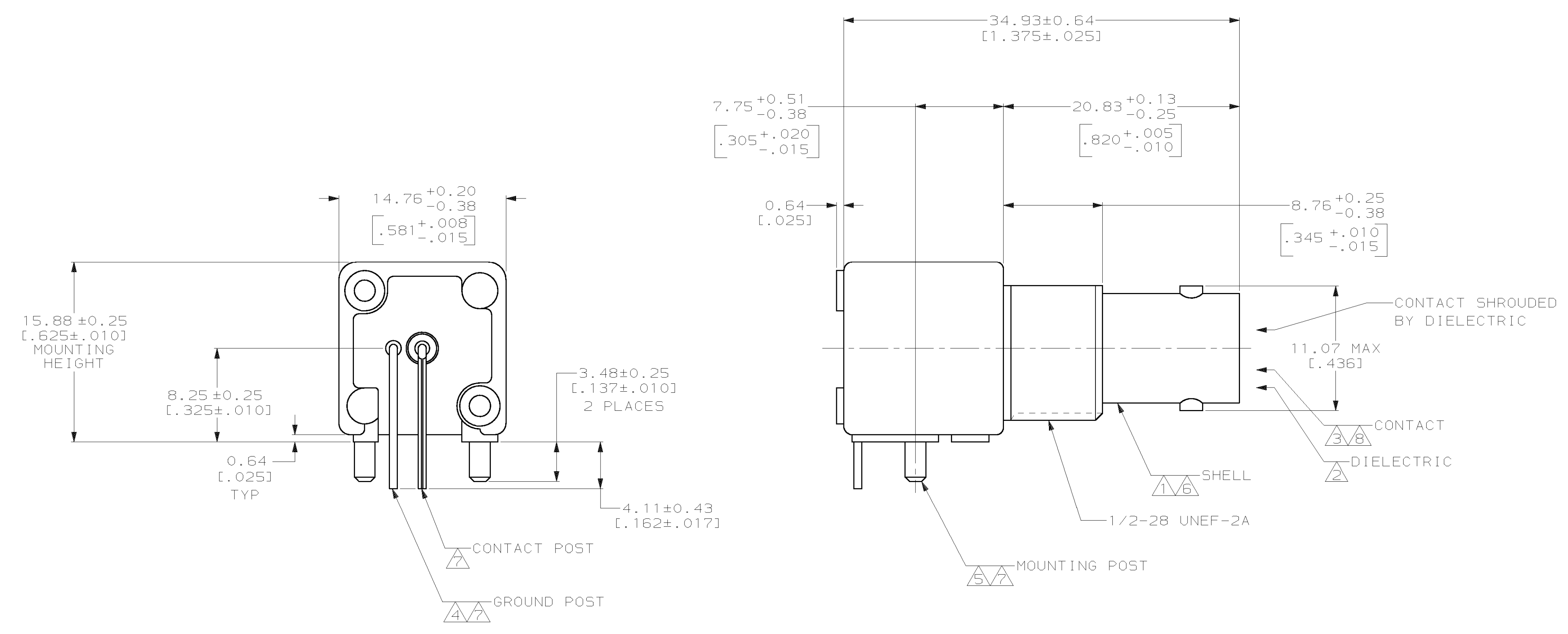
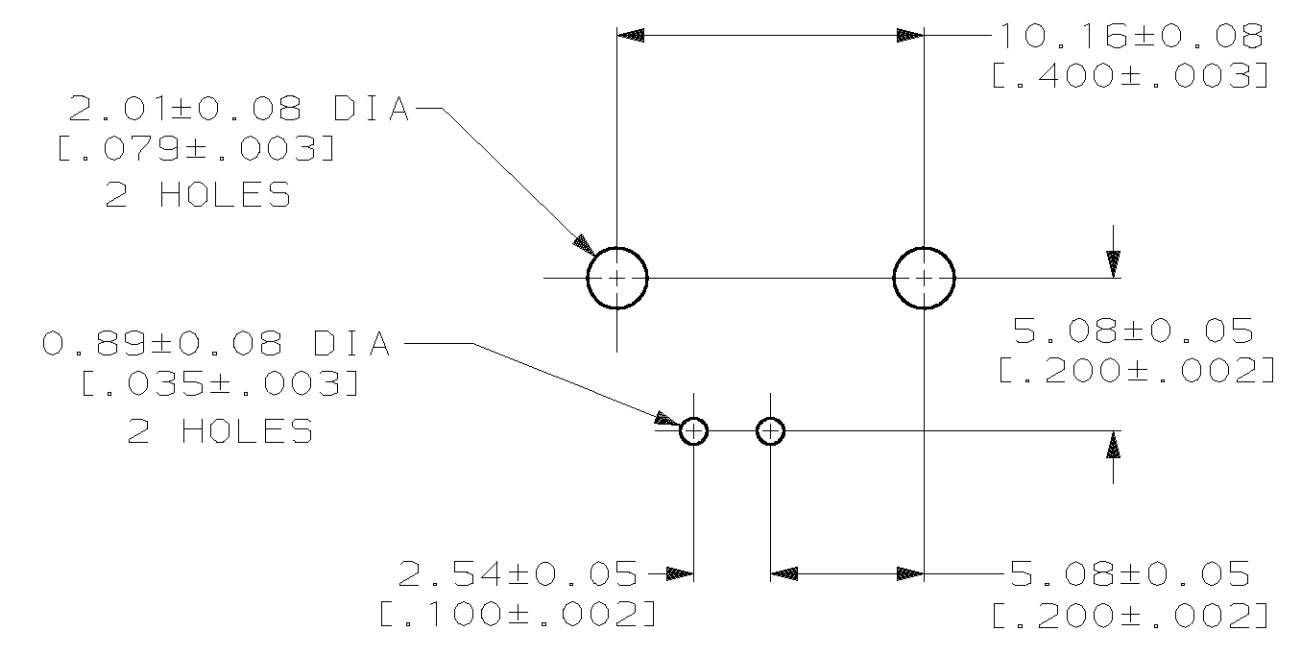


LOC		DIST		P		F		ZONE		LTR		REVISIONS		DATE	APPD
AJ	16												REV PER OU20-0666-00	07DEC00	MO

- 1 ZINC PER QQ-Z-363.
- 2 POLYMETHYLPENTENE, GENERAL PURPOSE.
- 3 PHOSPHOR BRONZE PER QQ-B-750.
- 4 BRASS PER ASTM-B-453.
- 5 BRASS PER ASTM-B-16.
- 6 NICKEL PLATE PER QQ-N-290, 3.81 μm [.000150] MINIMUM THICK.
- 7 TIN-LEAD PLATE PER MIL-P-81728, 3.81 μm [.000150] MINIMUM THICK.
- 8 GOLD PLATE PER MIL-G-45204, 0.76 μm [.000030] MINIMUM THICK.
- 9. SEE INSTRUCTION SHEET 2769.



RECOMMENDED PANEL CUTOUT



PCB CONFIGURATION

414409-1
PART NUMBER

DO NOT SCALE PRINT. UNLESS SPECIFIED DIMENSIONS IN mm [INCHES] TOLERANCES ON: 2 PLC DEC ± 0.20 [.008] 3 PLC DEC ± - ANGLES ± -		DR 10-26-92 J. LIPPERT		AMP Incorporated Harrisburg, PA 17105-3508	
SEE NOTES 1 THRU 5		CHK 10-27-92 A. GABANY			
FINISH SEE NOTES 6 THRU 8		APPD 10-27-92 A. GABANY		NAME	
-		APPD 10-27-92 J. LIPPERT		JACK, RIGHT ANGLE, PCB 75 OHM, SERIES BNC	
-		PRODUCT SPEC 108-12078		SIZE	CAGE CODE
-		APPLICATION SPEC -		D	00779
-		WEIGHT -		DRAWING NO	414409
-		-		SCALE	4:1
-		-		SHEET	1 OF 1