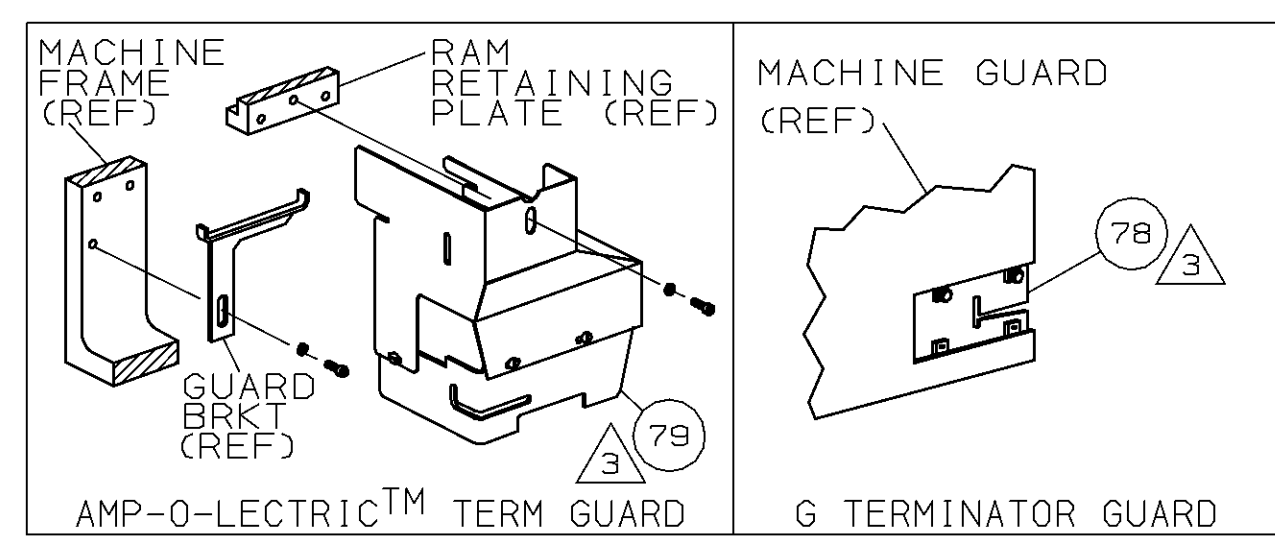
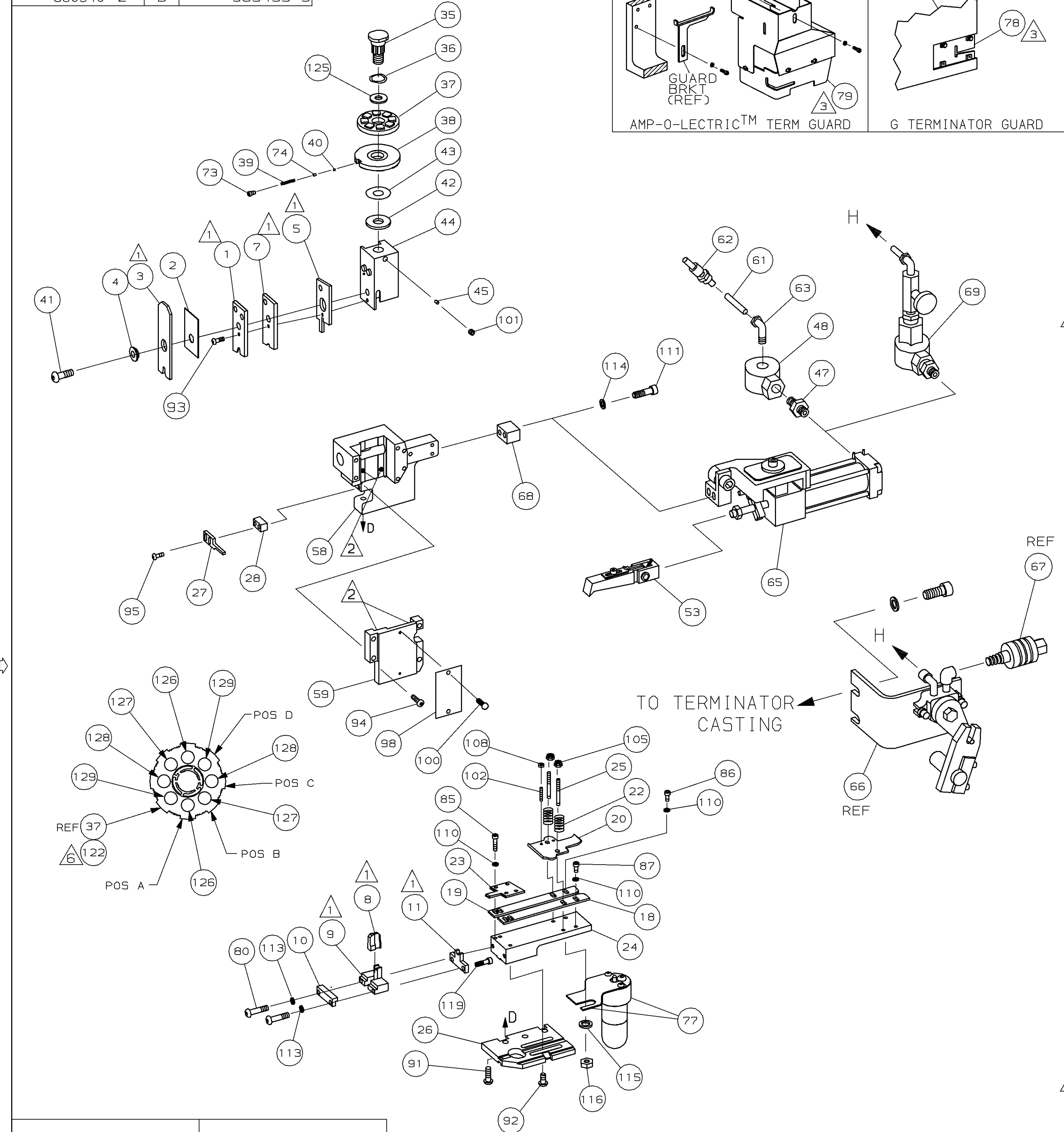


PART NUMBER	REV	FIRST USED
680340-1	B	354500-1
680340-2	B	565435-5



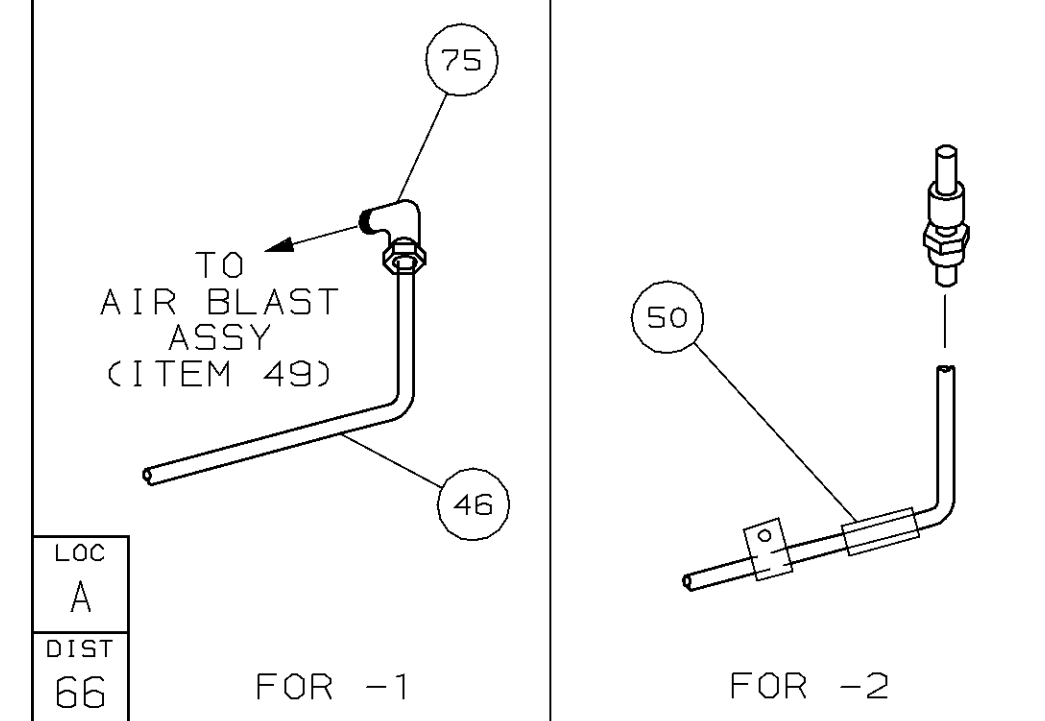
TERMINAL NAME: AMPLIVAR™ SPLICE WITH INSULATION SUPPORT						
737060						
PAD LTR		CRIMP HEIGHT		WIRE SIZE		
A	.070 ±.002	[1.77 ±0.05mm]	(2)1.06mm ²			
B	.061 ±.002	[1.55 ±0.05mm]	(2)0.8mm ²			
C	.059 ±.002	[1.51 ±0.05mm]	1.06mm ²			
D	.058 ±.002	[1.48 ±0.05mm]	(2)0.71mm ²			
CRIMP	SIZE	TYPE	RANGE			
WIRE	.110	[2.73mm]	F	1.06mm ² -1.32mm ²		
INSUL	.155	[3.94mm]	F	∅2.54mm-3.81mm		
WIRE STRIP LENGTH	TERM APPL SPEC	FEED	APPL INSTRUCTION	SET UP GAGE	LAYOUT	
-	114-2008	.400	408-8039	458638-1	L1778	

-1	BENCH MODEL G	AIR FEED		
-2	BENCH MODEL K	AIR FEED		



QTY	REQD PER ASSY	U/M	DWG SIZE	PART NO	DESCRIPTION	ITEM NO
2	2	-	C	2-354779-2	PIN, WIRE DISC (.3100)D	129
2	2	-	C	1-354779-9	PIN, WIRE DISC (.3085)C	128
2	2	-	C	1-354779-5	PIN, WIRE DISC (.3065)B	127
2	2	-	C	9-354778-4	PIN, WIRE DISC (.2965)A	126
1	1	-	A	986950-1	WASHER, FLAT PRECISION	125
1	1	-	A	217238-1	GENERAL INSTRUCTION PACKAGE	124
1	1	-	-	4088039	EF APPL INST 408-8039	123
1	1	-	C	1-679600-5	PLASTIC WIRE DISC ASSY	122
						121
						120
2	2	-	A	1-21002-6	SCR,BHC(6-32x.25)PLATE STR GUI	119
						118
						117
1	1	-	A	21018-6	NUT, HEX (8-32)LUBE	116
1	1	-	A	21055-6	WASHER, FLAT #8 LUBE	115
2	2	-	A	22260-7	WASHER, FLAT #10	114
2	2	-	A	21024-3	WASHER, LOCK (#6)SHEAR PL	113
						112
2	2	-	A	4-21000-2	SCR,SHC(10-32x1.75)AIR FEED BRKT	111
7	7	-	A	21024-4	WASHER, LOCK (NO.8)SHEAR BL	110
						109
2	2	-	A	21018-4	NUT, HEX (4-40)DRAG	108
						107
						106
2	2	-	A	21022-2	NUT, HEX SL(8-32)DRAG STUD	105
						104
						103
2	2	-	A	2-21006-6	SCR,SKT SET(4-40x.62)DRAG	102
1	1	-	A	21009-2	SCR,SKT SET(1/4-20x.25)RAM	101
2	2	-	A	21017-2	SCR,DRIVE(#2x.19)ID PLATE	100
						99
1	1	-	B	464249-1	PLATE, IDENTIFICATION	98
						97
						96
2	2	-	A	2-21002-2	SCR,BHC(8-32x.50)STRIPPER	95
4	4	-	A	2-21002-9	SCR,BHC(10-32x.75)CAP	94
1	1	-	A	2-21002-6	SCR,BHC(10-32x.38)SLUG BL	93
4	4	-	A	3-21002-5	SCR,BHC(1/4-20x.75)ST 6D PL	92
3	3	-	A	2-22733-8	SCR,BHC(1/4-20x.62)H5G	91
						90
						89
						88
1	1	-	A	2-21000-9	SCR,SHC(8-32x.75)LUBE	87
1	1	-	A	2-21000-6	SCR,SHC(8-32x.38)STRIP GUIDE	86
4	4	-	A	2-21002-2	SCR,BHC(8-32x.50)R STRIP GUIDE	85
						84
						83
						82
						81
2	2	-	A	1-21000-9	SCR,SHC(6-32x.38)SHEAR PL	80
1	-	-	A	460980-2	GUARD ASSY	79
-	REF	-	A	679532-1	INSERT, GUARD	78
1	-	-	C	1-465184-7	LUBRICATOR ASSY	77
1	-	-	A	454406-1	SPACER, LUB BRACKET	76
-	1	-	A	22317-3	ELBOW, COPPER TUBE	75
1	1	-	A	690603-1	SPRING, ASSIST	74
1	1	-	A	23030-1	SCR,SKT CAP(6-32x.25)CP DSC	73
						72
						71
-2	-1	U/M	DWG SIZE	PART NO	DESCRIPTION	ITEM NO

QTY	REQD PER ASSY	U/M	DWG SIZE	PART NO	DESCRIPTION	ITEM NO
						70
						69
						68
						67
						66
						65
						64
						63
						62
						61
						60
						59
						58
						57
						56
						55
						54
						53
						52
						51
						50
						49
						48
						47
						46
						45
						44
						43
						42
						41
						40
						39
						38
						37
						36
						35
						34
						33
						32
						31
						30
						29
						28
						27
						26
						25
						24
						23
						22
						21
						20
						19
						18
						17
						16
						15
						14
						13
						12
						11
						10
						9
						8
						7
						6
						5
						4
						3
						2
						1



- 1 RECOMMENDED SPARE PARTS.
- 2 GREASE LIGHTLY.
- 3 GUARD MUST BE IN PLACE WHEN OPERATING APPLICATOR IN A BENCH MACHINE.
- 4 SEE DRAWING FOR COMPONENTS.
- 5 ITEM 78 USED WITH G TREMINATOR ONLY.
- 6 REPLACE ITEM 37 WITH ITEM 122 TO USE THE FOLLOWING WIRE SIZES:
- 7 ITEM 122 TO BE SHIPPED WITH APPLICATOR.

CRIMPING DATA		
PAD LTR	CRIMP HEIGHT	WIRE SIZE
A	.078 ±.002 [1.98 ±0.05mm]	(2)1.26mm ²
B	.065 ±.002 [1.65 ±0.05mm]	1.32mm ²
C	NOT	USED
D	NOT	USED

THIS DRAWING IS A CONTROLLED DOCUMENT FOR AMP INCORPORATED. IT IS SUBJECT TO CHANGE AND THE CONTROLLING ENGINEERING ORGANIZATION SHOULD BE CONTACTED FOR THE LATEST REVISION.

THIS INFORMATION IS CONFIDENTIAL AND IS DISCLOSED TO YOU ON CONDITION THAT NO FURTHER DISCLOSURE IS MADE BY YOU TO OTHER THAN AMP PERSONNEL WITHOUT WRITTEN AUTHORIZATION FROM AMP INCORPORATED, HARRISBURG, PA.

680340

AMP