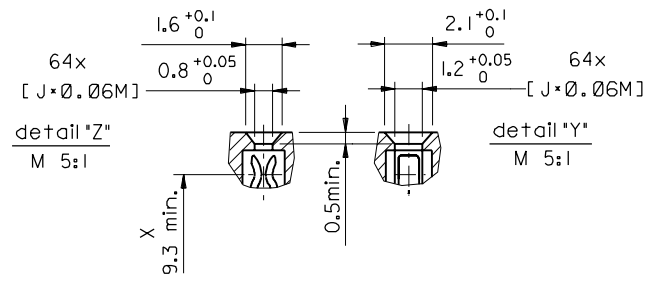
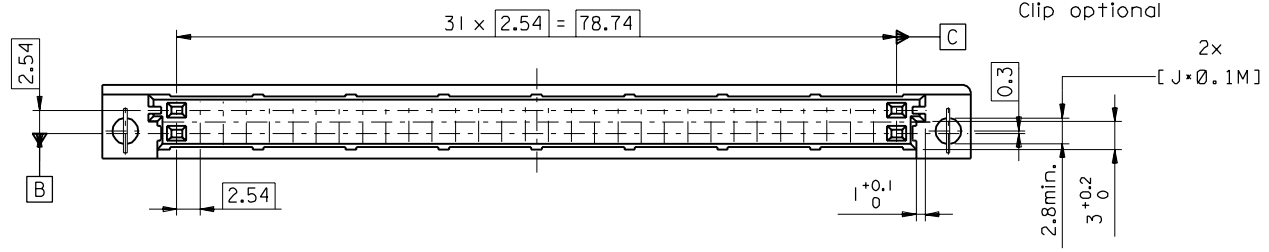
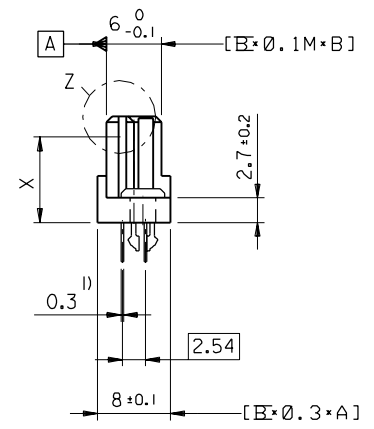
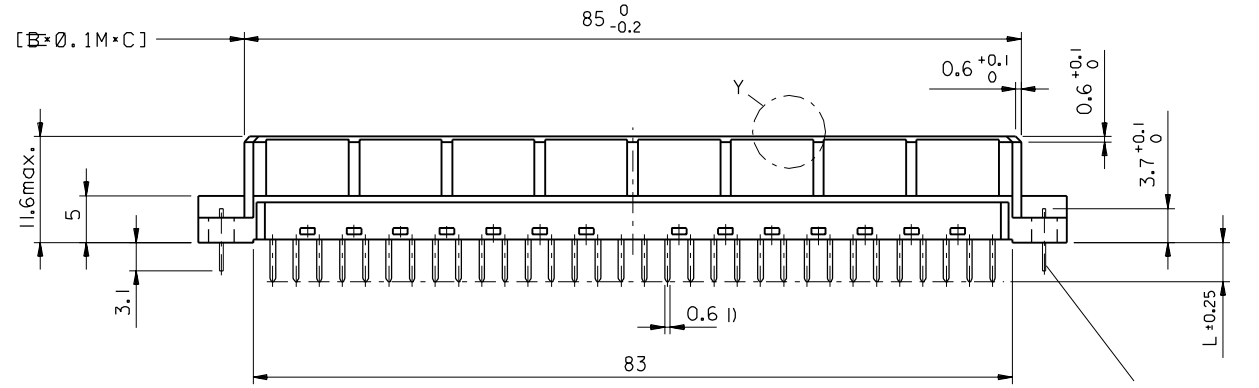


1) tails to fit in PC-board layout



ECN MG1998-2727 new fixing clip 98-04-14 Co	REVISIONS	3 PLACE ±	±
		2 PLACE ±	±
LTR	FOR PREVIOUS REVISIONS SEE MRI LIST	1 PLACE ±	±
		DRAFT WHERE APPLICABLE MUST REMAIN WITHIN DIMENSIONS	
C	LTR	DESIGN DIMENSION	<input checked="" type="checkbox"/> MM <input type="checkbox"/> IN.
		EQUIVALENT DIMENSION	<input type="checkbox"/> MM <input type="checkbox"/> IN.
IF TWO DIMENSIONS ARE SHOWN THE UPPER IS THE DESIGN DIMENSION, LOWER IS SECONDARY		SCALE	2:1

FIRST ANGLE PROJECTION		REVISE ONLY ON CAD SYSTEM		SH.	REV.
DRWG BY	KN	CAD/CAM PROJECT NAME	85040000 611	THIS DRAWING CONTAINS INFORMATION THAT IS PROPRIETARY TO MOLEX INC. & SHOULD NOT BE USED WITHOUT WRITTEN PERMISSION	
CHK'D BY	Ca	TITLE 64 pos. Female connector DIN 41612 style B + clip Dimensions			
APP'D BY	JB	MOLEX EUROPE		SHEET NO.	DATE
		1 OF 1		95/11/14	
		PART NO.	SDA-85040-0001	DWG NO.	SIZE
					B

