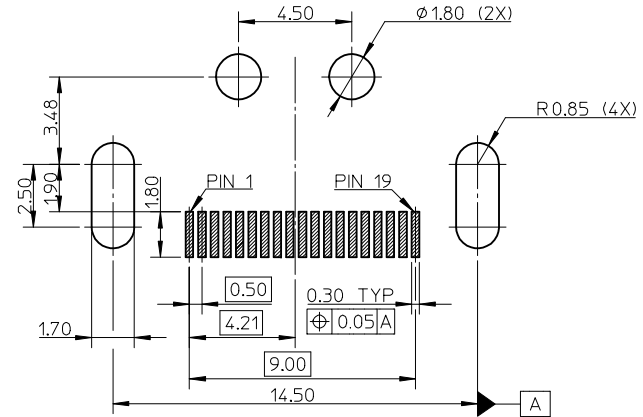
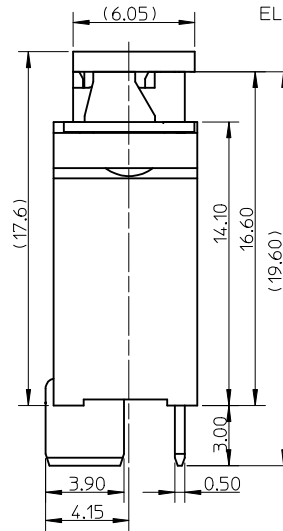
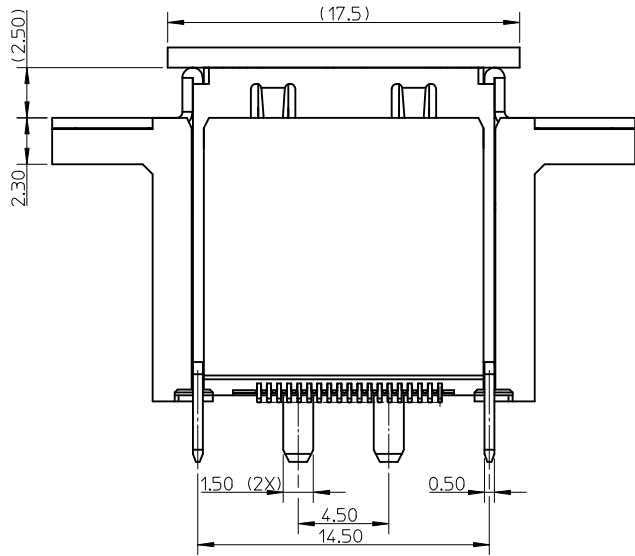
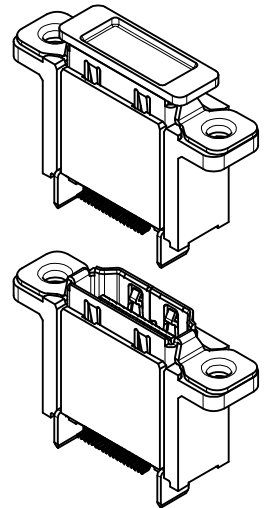
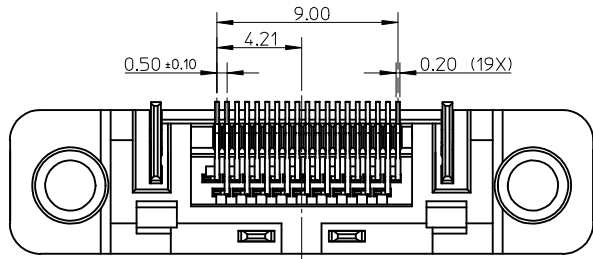


NOTES:

1. MATERIAL:  
HOUSING/COVER: HIGH TEMPERATURE THERMAL PLASTIC. COLOR: BLACK.  
SHELL: COPPER ALLOY.  
TERMINAL: COPPER ALLOY.
2. PLATING:  
TERMINAL:  
CONTACT AREA: PLATING SPEC REFER TO REMARK IN CHART.  
SOLDER AREA: 1 MICROMETER MIN. TIN-BISMUTH ALLOY PLATED.  
UNDER PLATE: 1.27 MICROMETER MIN. NICKEL.  
SHELL: 3 MICROMETER MIN. MATTE TIN PLATE OVERALL.
3. COPLANARITY: 0.10mm MAX .
4. PRODUCT SPECIFICATION REFER TO PS-47632-001.
5. PACKAGE SPECIFICATION REFER TO PK-47632-002.
6. PRODUCT COMPLIANT TO ROHS DIRECTIVE 2002/95/EC AND ELV DIRECTIVE 2000/53/EC.



RECOMMENDED PCB LAYOUT  
CONNECTOR SIDE  
THICKNESS=1.60mm  
(GENERAL TOLERANCE: ±0.05)



P/N	CONTACT PLATING SPEC
47632-2000	GOLD 0.38 MICROMETER MIN.
47632-2100	GOLD FLASH

D1	A8-Gold plating thk 0.3u update to 0.38u (typo error)	28.Jan.2013
REV NO	DESCRIPTION	DATE

<b>REVISED</b> EC NO: S2013-0505 DRWN: CWANG25 2013/01/28 CHKD: JESSIECHUA 2013/01/28 APPR: SHONG 2013/02/05	<b>QUALITY SYMBOLS</b> ▽=0 ▽=0	<b>GENERAL TOLERANCES (UNLESS SPECIFIED)</b>		<b>DIMENSION STYLE</b> MM ONLY	<b>SCALE</b> 4:1	<b>DESIGN UNITS</b> METRIC	THIRD ANGLE PROJECTION
		4 PLACES ± --- ± --- 3 PLACES ± --- ± --- 2 PLACES ± 0.15 ± --- 1 PLACE ± 0.25 ± ---	mm    INCH	<b>DRAWN BY</b> CHEN BO	<b>DATE</b> 2007/10/18	<b>TITLE</b> HDMI RECEPTACLE VERTICAL SMT TYPE WITH FLANGE	
		ANGULAR ± 1 °		<b>CHECKED BY</b> JOHNSON	<b>DATE</b> 2007/10/18	<b>MOLEX INCORPORATED</b>	
		DRAFT WHERE APPLICABLE MUST REMAIN WITHIN DIMENSIONS		<b>APPROVED BY</b> HARVEY	<b>DATE</b> 2007/10/18		

THIS DRAWING CONTAINS INFORMATION THAT IS PROPRIETARY TO MOLEX INCORPORATED AND SHOULD NOT BE USED WITHOUT WRITTEN PERMISSION