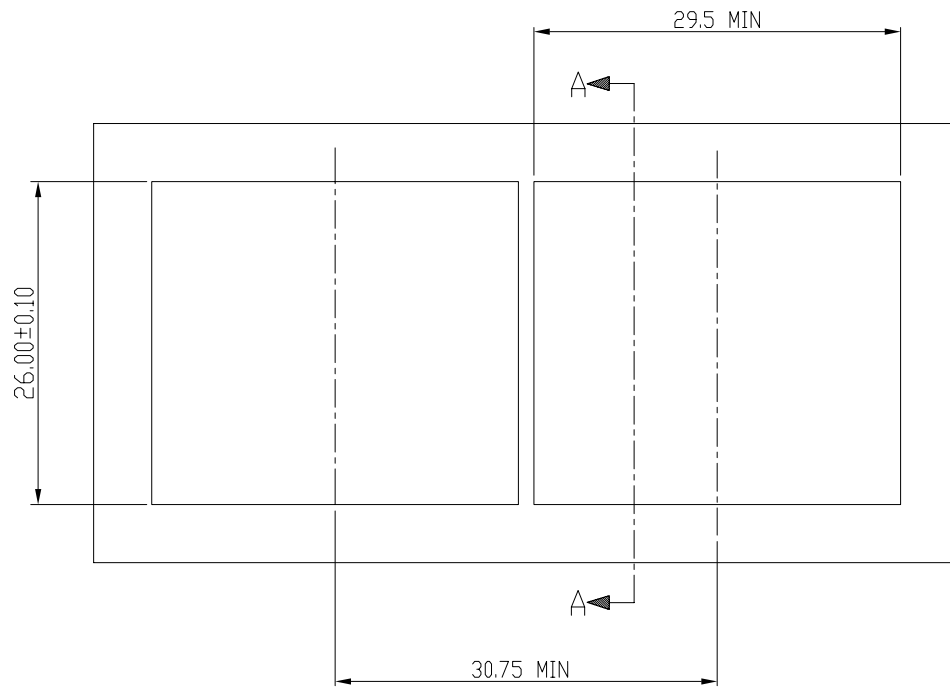
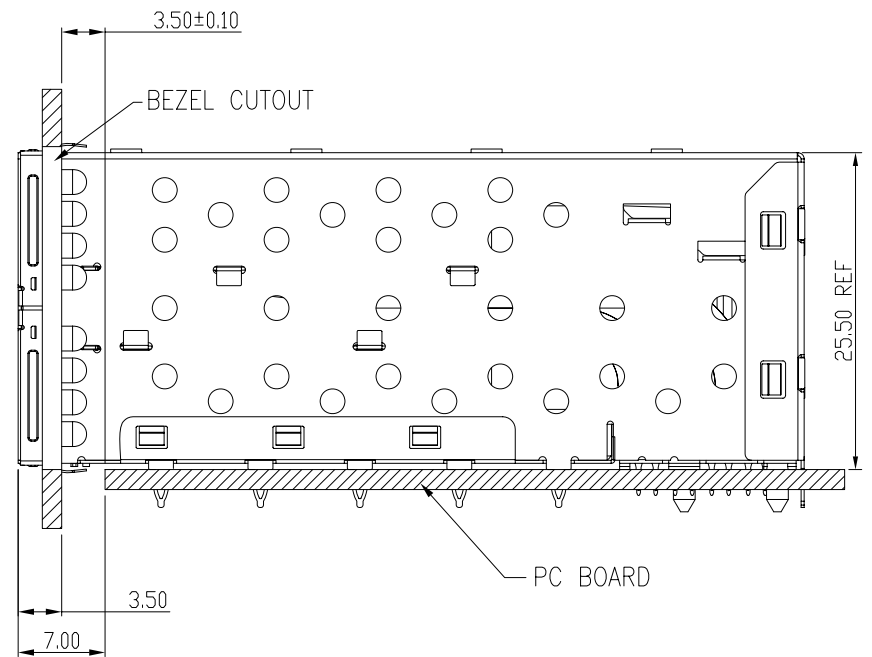


Qty Per:	TRAY	CARTON		
	12	72		
PART NUMBER	STATEMENT			
SFPP-3130-L	INNER/OUTER LIGHT PIPES			
No.	DESCRIPTION	Q'ty	MATERIAL	PLATING
01	SFP CAGE (Non-Logo)	1	ECOTRIO	
02	CONNECTOR	2	HIGH TEMP/COPPER ALLOY	GOLD
03	LIGHT PIPES	2	POLYCARBONITE	
04	EMI TAB	2	ECOTRIO	

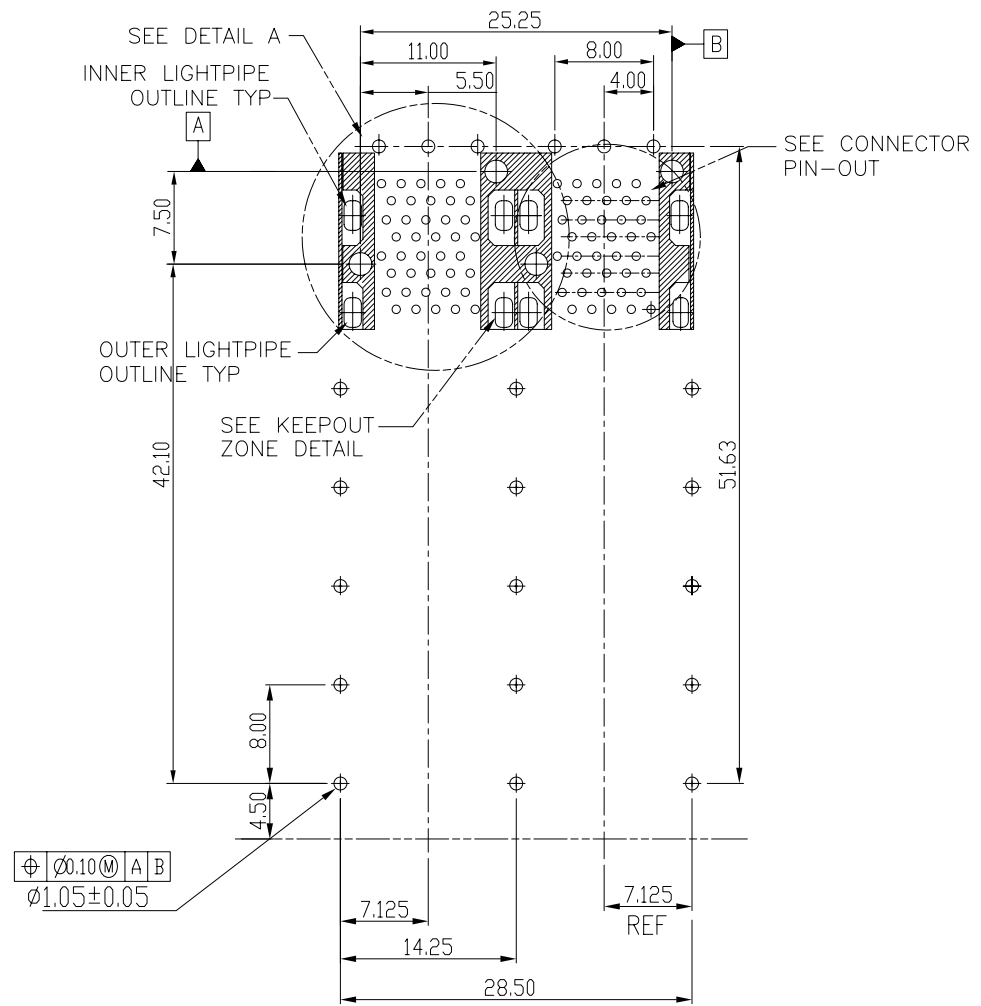
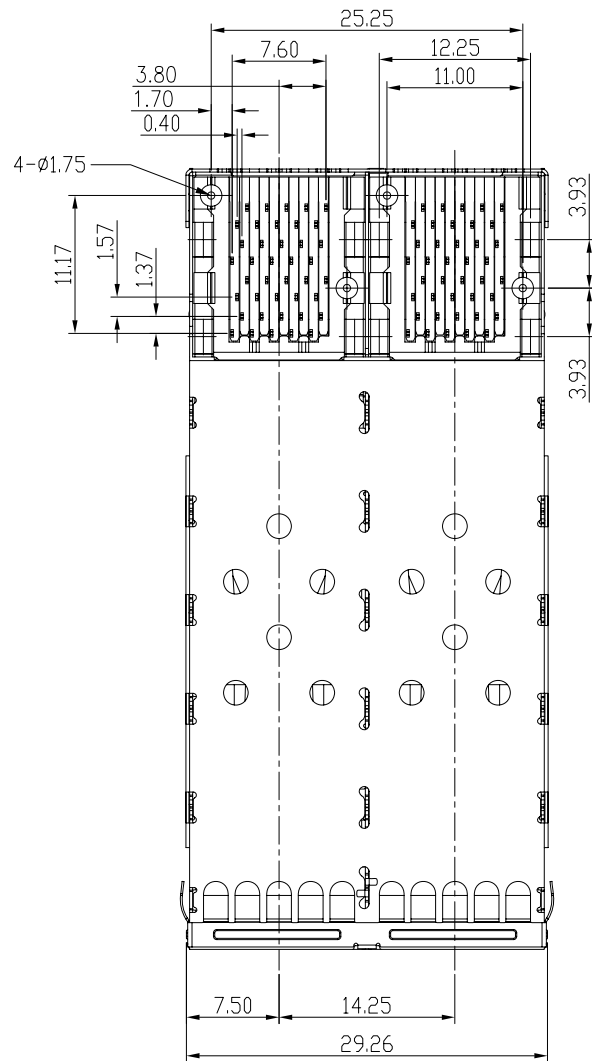
DETACHED LISTS	MM (INCH)	RoHS Compliant				
	TOLERANCES EXCEPT AS NOTED					
	MM	TITLE				
	.0 ± 0.25 ± .00 ± 0.2 ± .000 ± 0.10 ±	W/LIGHT PIPES&EMI TAB				
ANGLES ± 0.5	SFP PLUS 2 BY 2 CAGE+CONNECTOR_P		DFTD Jack	DRAWING NO. CSFPP-3130-L	SIZE	REV
	SCALE : 2:1		DATE 11/18/08'	/PART NO. SFPP-3130-L	A3	0
THIRD ANGLE PROJECTION	DO NOT SCALE DRAWING		SHEET 1 OF 4			



BEZEL CUT-OUT CENTER SPACING DETAIL
 BEZEL THICKNESS:0.8-2.6

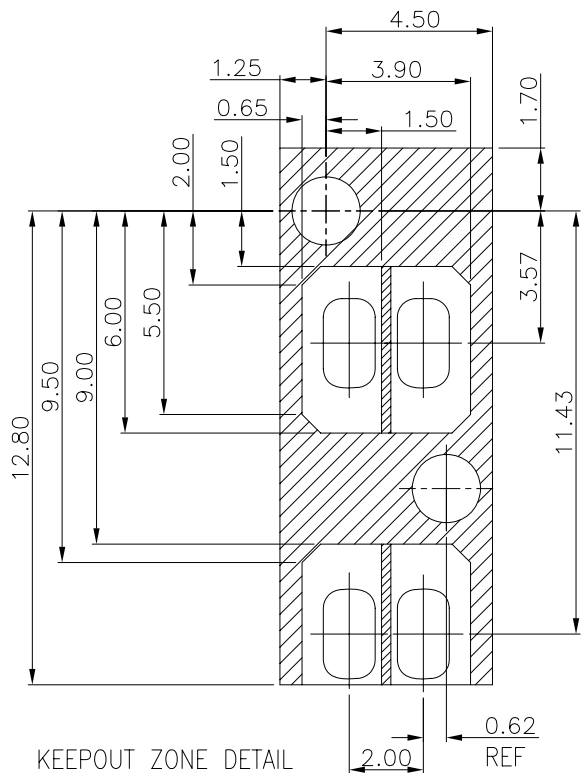


DETACHED LISTS	\longleftrightarrow MM \longleftrightarrow (INCH)	RoHS Compliant				
	TOLERANCES EXCEPT AS NOTED		TITLE W/LIGHT PIPES&EMI TAB SFP 2 BY 2 CAGE+CONNECTOR_P			
	MM					
	.0 ± 0.25	±				
.00 ± 0.2	±	DFTD Jack		DRAWING NO. CSFPP-3130-L	SIZE	REV
.000 ± 0.10	±	DATE 11/18/08'		/PART NO. SFPP-3130-L	A3	0
ANGLES ± 0.5		SCALE : 2:1		DO NOT SCALE DRAWING	SHEET 2	OF 4
 THIRD ANGLE PROJECTION						

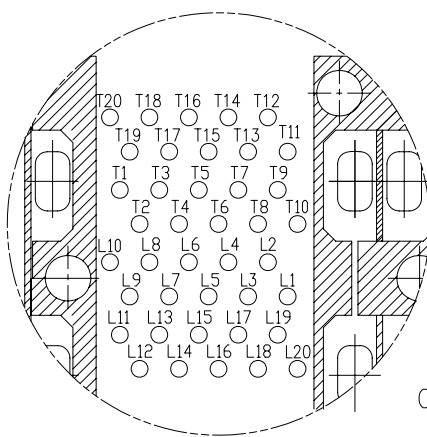


⊕ ∅0.10 (M) A B
∅1.05±0.05

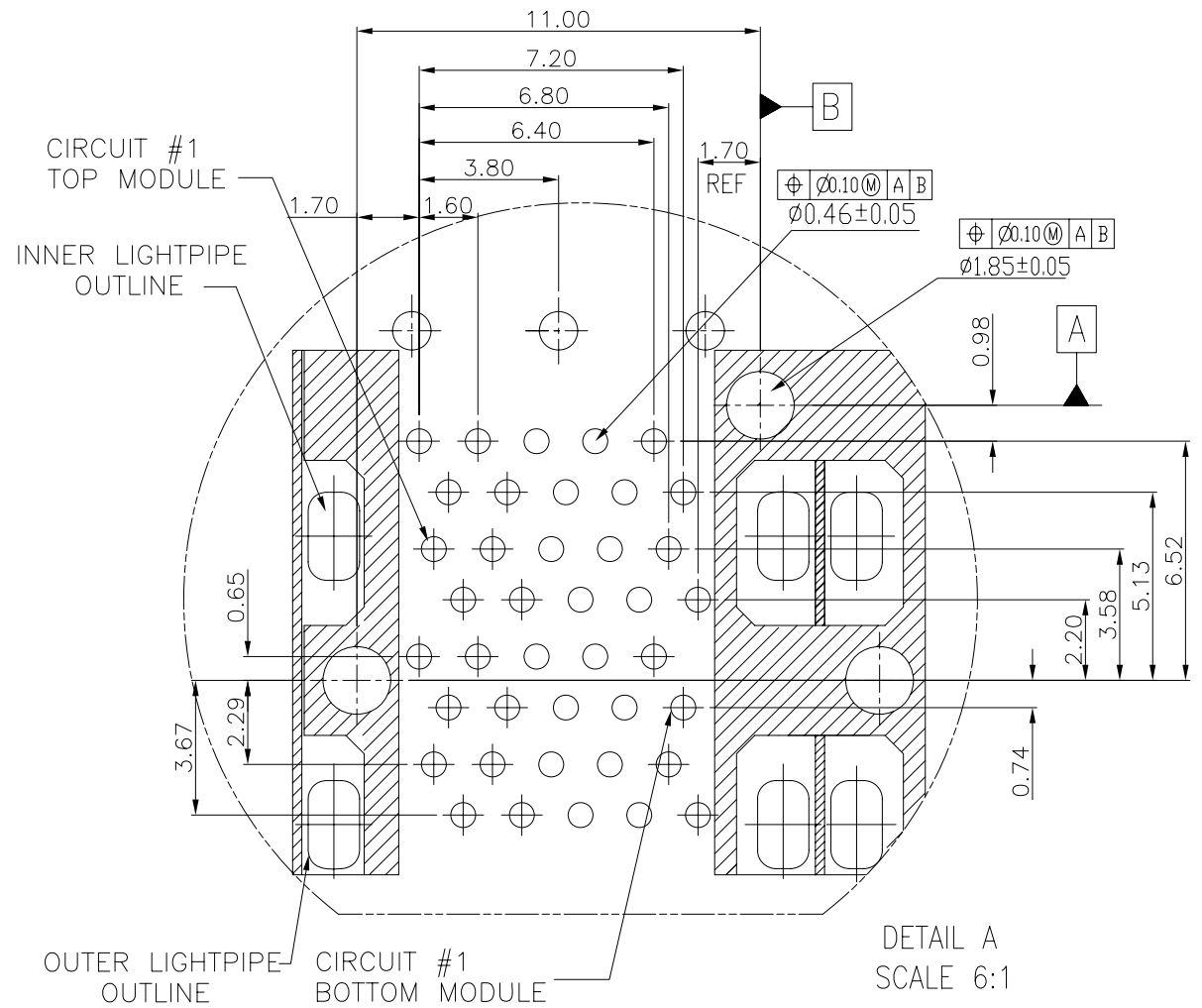
MM (INCH)		RoHS Compliant			
TOLERANCES EXCEPT AS NOTED		TITLE W/LIGHT PIPES&EMI TAB			
MM .0 ± 0.25 ± .00 ± 0.2 ± .000 ± 0.10 ±		SFP 2 BY 2 CAGE+CONNECTOR_P			
ANGLES ± 0.5		DFTD Jack DATE 11/18/08		DRAWING NO. CSFPP-3130-L /PART NO. SFPP-3130-L	
		SCALE : 2:1		SIZE A3	
THIRD ANGLE PROJECTION		DO NOT SCALE DRAWING		SHEET 3 OF 4	



KEEPOUT ZONE DETAIL
SCALE 6:1



CONNECTOR PIN-OUT
COMPONENT SIDE OF BOARD



DETAIL A
SCALE 6:1

MM (INCH)		RoHS Compliant		 A TECHNOLOG COMPANY	
TOLERANCES EXCEPT AS NOTED		TITLE W/LIGHT PIPES&EMI TAB			
MM .0 ± 0.25 ± .00 ± 0.2 ± .000 ± 0.10 ±		SFP 2 BY 2 CAGE+CONNECTOR_P			
ANGLES ± 0.5		DFTD Jack DATE 11/18/08		DRAWING NO. CSFPP-3130-L /PART NO. SFPP-3130-L	
 THIRD ANGLE PROJECTION		SCALE : 2:1		DO NOT SCALE DRAWING	
				SIZE A3	REV 0
				SHEET 4	OF 4