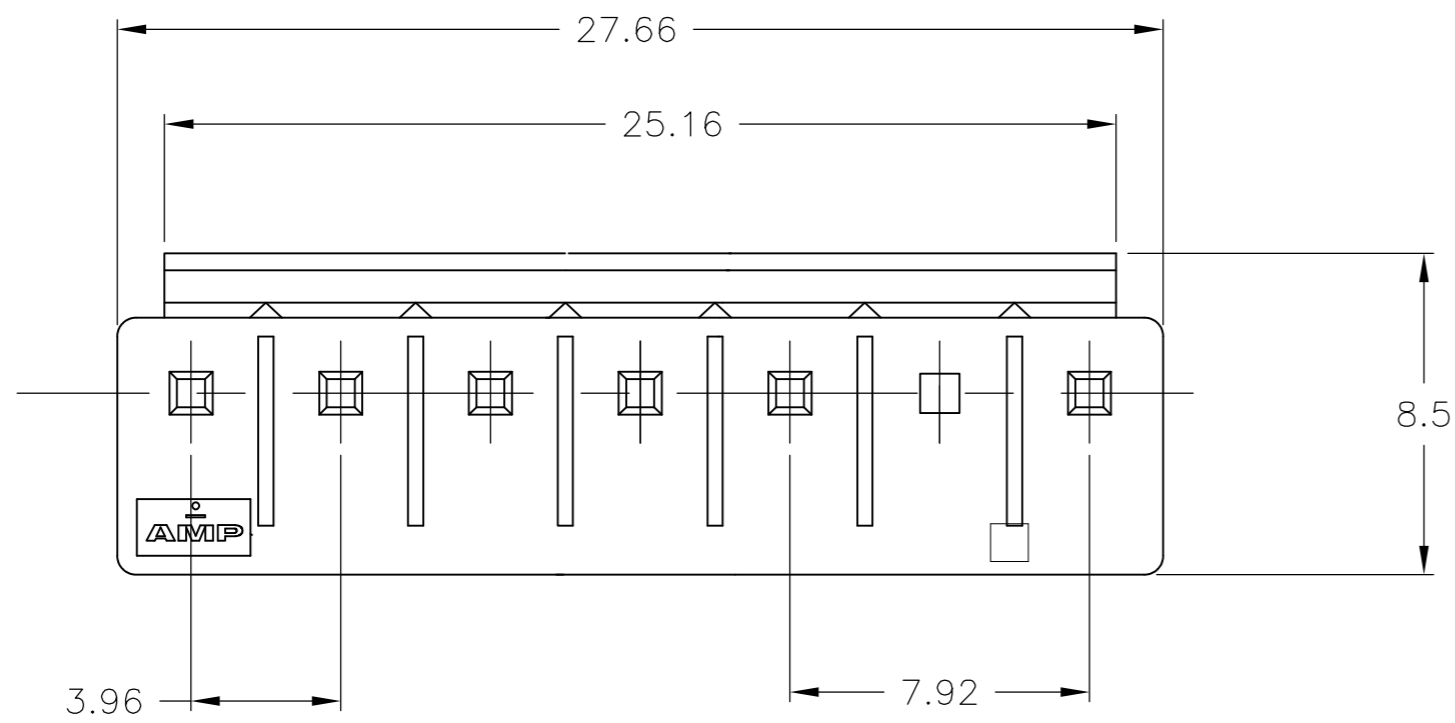
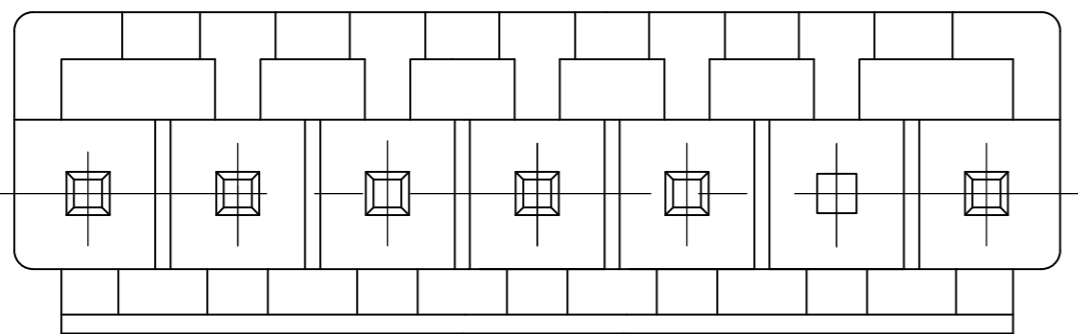
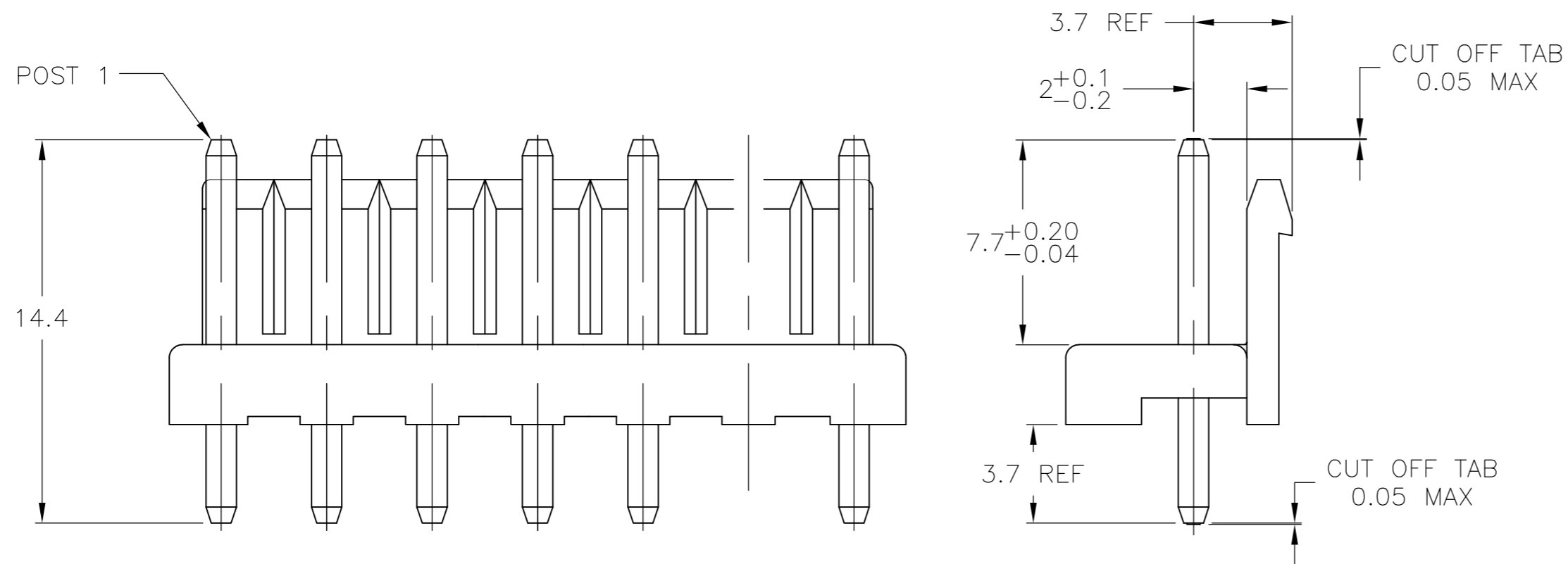


THIS DRAWING IS UNPUBLISHED. RELEASED FOR PUBLICATION  
 © COPYRIGHT BY TYCO ELECTRONICS CORPORATION. ALL RIGHTS RESERVED.

LOC	DIST	REVISIONS			
P	LTR	DESCRIPTION	DATE	DWN	APVD
GP	00	D	REVISED PER ECO-09-017647	29OCT2009	CR CR

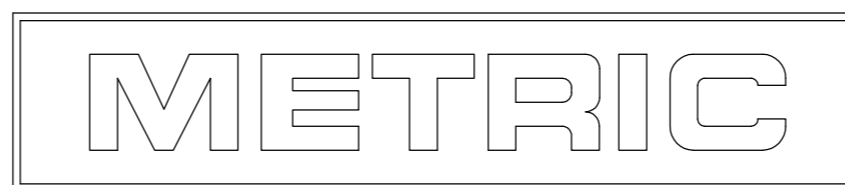


1. MATERIAL: HOUSING- PBT, NATURAL  
 POST- BRASS, 0.001[.000039] MIN TIN OVER  
 0.0008[.000031] MIN NICKEL.



1744107-1 SHOWN

OMITTED POST NUMBER	NO. OF POSITIONS	ASSEMBLY PART NO.
5	7	1744107-4
2	7	1744107-3
3	7	1744107-2
6	7	1744107-1



THIS DRAWING IS A CONTROLLED DOCUMENT.		DWN K. WHITAKER 04JUN04	Tyco Electronics Corporation Harrisburg, PA 17105-3608	
DIMENSIONS: mm		CHK D. BOSSI 04JUN04	NAME HEADER ASSEMBLY, SPECIAL, OMITTED POST, 7 POSITION, ECONOMY POWER(EP)	
TOLERANCES UNLESS OTHERWISE SPECIFIED: 0 PLC ± - 1 PLC ± - 2 PLC ± - 3 PLC ± - 4 PLC ± - ANGLES ± -		APVD D. BOSSI 04JUN04	DRAWING NO A2 00779 C=1744107	
MATERIAL -		FINISH -	WEIGHT -	RESTRICTED TO -
CUSTOMER DRAWING			SCALE 5:1	SHEET 1 of 1

1744107