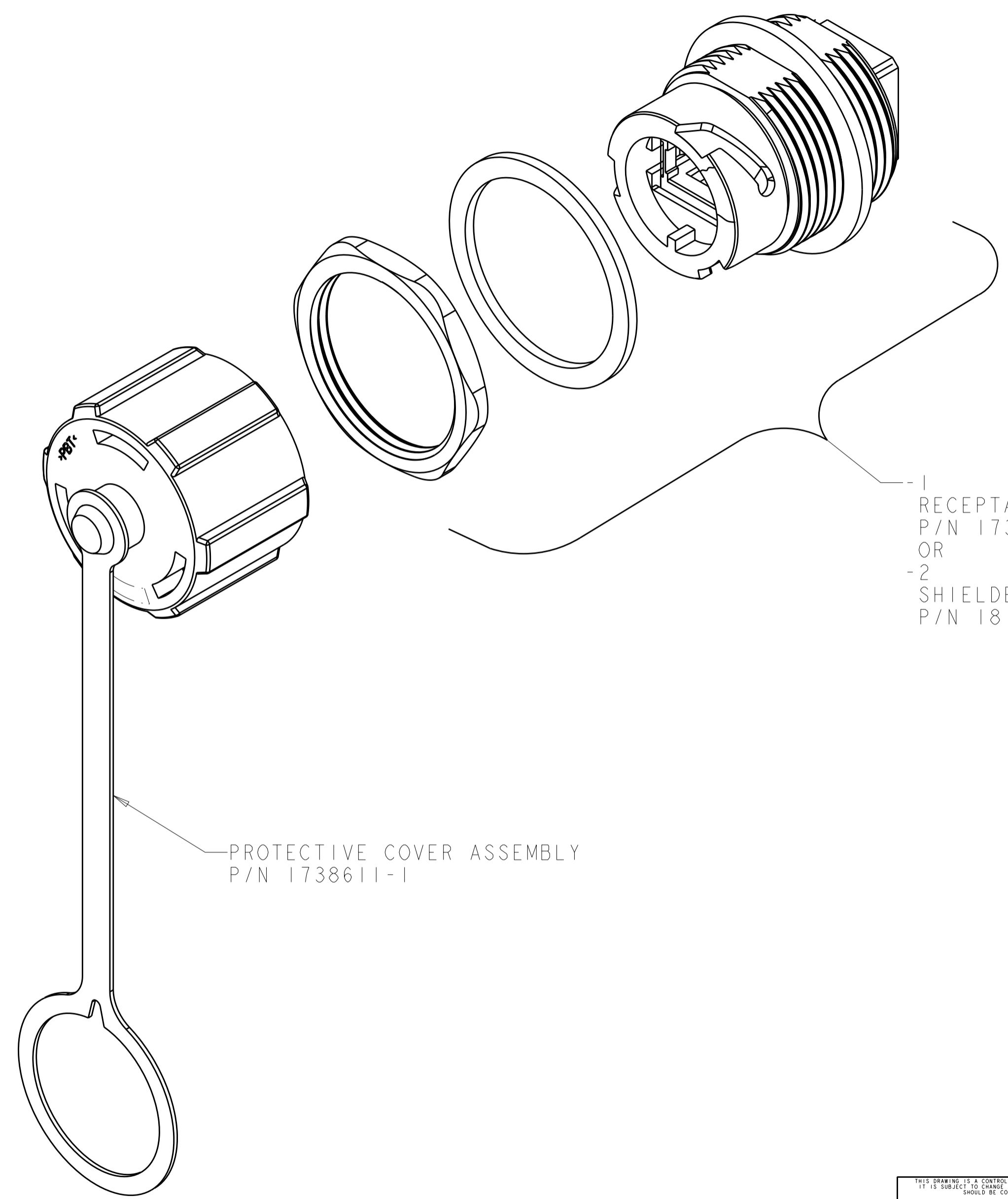


THIS DRAWING IS UNPUBLISHED. RELEASED FOR PUBLICATION 20
 © COPYRIGHT 20 BY TYCO ELECTRONICS CORPORATION. ALL RIGHTS RESERVED.

LOC		DIST		REVISIONS			
P	LTR	DESCRIPTION	DATE	DWN	APVD		
	A	RELEASED	26SEP2007	SW	MS		
	B	REVISED PER ECO-09-008464	06APR2009	SS	MS		
	C	REV PER ECO-10-011440	07JUN2010	RG	SM		



1 RECEPTACLE KIT
 P/N 1738601-1
 OR
 -2 SHIELDED RECEPTACLE KIT
 P/N 1811689-1

PROTECTIVE COVER ASSEMBLY
 P/N 1738611-1

YES	1986280-2
NO	1986280-1
SHIELDED RECEPTACLE	PART NUMBER

<small>THIS DRAWING IS A CONTROLLED DOCUMENT FOR TYCO ELECTRONICS CORPORATION. IT IS SUBJECT TO CHANGE AND THE CONTROLLING ENGINEERING ORGANIZATION SHOULD BE CONTACTED FOR THE LATEST REVISION.</small>		DWN S.WELDON 26SEP2007 CHK M.STRECKEWALD 26SEP2007 APVD M.STRECKEWALD 26SEP2007	Tyco Electronics Harrisburg, PA 17105-3608
DIMENSIONS: mm	TOLERANCES UNLESS OTHERWISE SPECIFIED: 0 PLC ±- 1 PLC ±0.5 2 PLC ±0.13 3 PLC ±0.013 4 PLC ±0.0001 ANGLES ±- FINISH	PRODUCT SPEC - APPLICATION SPEC - WEIGHT -	NAME RECEPTACLE KIT, WITH PROTECTIVE COVER, INDUSTRIAL CIRCULAR ETHERNET SIZE A2 CAGE CODE 00779 DRAWING NO C-1986280 RESTRICTED TO -
MATERIAL -		CUSTOMER DRAWING	SCALE 2:1 SHEET 1 OF 1 REV C