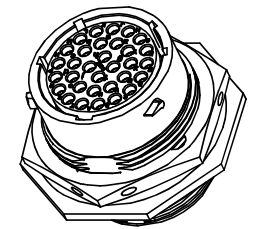
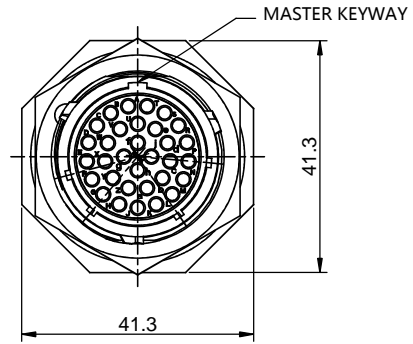
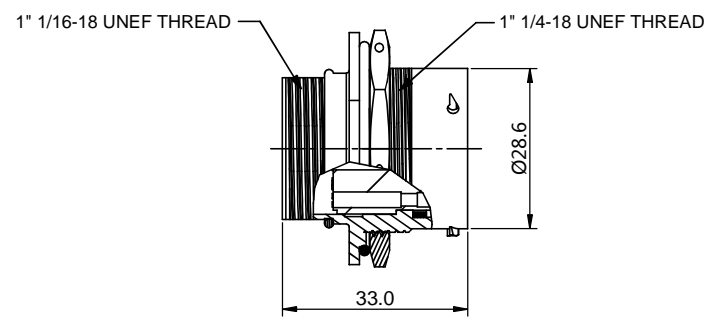
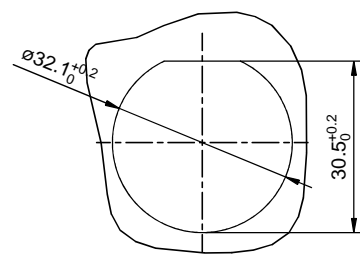


REVISIONS					
REV	ECO	DESCRIPTION	DATE	BY	APPR
B1	-	RELEASED DRAWING	JUN-25-2014	BEN	TOMMY



- NOTES : (UNLESS OTHERWISE SPECIFIED)**
- MATERIAL :**
 SHELL : ZINC ALLOY , NICKEL PLATED.
 JAM NUT : AL ALLOY , NICKEL PLATED.
 INSERT : THERMOPLASTIC , UL94 V-0/CR.
 O-RING : NBR.
 SEAL GASKET : NBR.
 - SPECIFICATIONS :**
 - RATED CURRENT :**
 - 2.1.1 STAMPED CONTACT : 5A (MAX).
 - 2.1.2 MACHINED CONTACT : 7.5A (MAX).
 - RATED VOLTAGE : 150V (AC/DC) .**
 - OPERATING TEMPERATURE : -40°C ~ +105°C.**
 - DIELECTRIC WITHSTANDING VOLTAGE : LESS THAN 2 MILLIAMPS CURRENT LEAKAGE@1500 VOLTS AC.**
 - INSULATION RESISTANCE : 5000 MEGOHMS MIN.**
 - IP--CLASS : IP67.**
 - MATING CYCLES DURABILITY : 500 CYCLES MIN.**
 - SUITABLE CONTACTS : 20# CONTACTS.**
 - ROHS COMPLIANT.**
 - ALL DIMENSIONS ARE FOR REFERENCE USE ONLY.**



PANEL CUT OUT REFERENCE

KEY POS	PART NUMBER
N	RTOW71832SNH
W	RTOW71832SWH
X	RTOW71832SXH
Y	RTOW71832SYH
Z	RTOW71832SZH

QUANTITY	SEE PART NUMBER CHART	DESCRIPTION	ITEM
MATERIALS LIST			
UNLESS OTHERWISE SPECIFIED 1) All dimensions are in metric(mm). 2) Tolerances are as follows: 1 PL DEC ±0.30 Fractions ±1/64 2 PL DEC ±0.15 Angles ±1° 3 PL DEC ±0.08 3) Note reference =		SIGNATURES DRAWN: BEN CHECKED: ENGINEER: APPROVAL:	DATE JUN-25-2014
MATERIAL SPECIFICATIONS: THIS DRAWING IS SUPPLIED FOR INFORMATION ONLY. DESIGN FEATURES, SPECIFICATIONS AND PERFORMANCE DATA SHOWN HEREON ARE THE PROPERTY OF THE AMPHENOL CORPORATION. NO RIGHTS OF REPRODUCTION ARE IMPLIED. ALL DIMENSIONS ARE SUBJECT TO NORMAL MANUFACTURING VARIATIONS.		Amphenol Sine Systems - www.amphenol-sine.com 44724 Morley Drive Clinton Township, MI 48036	
PROCESS SPECIFICATIONS: NEXT ASSY:		CUSTOMER: ECO-MATE, RECEPTACLE, JAM NUT, SIZE 18, 32POS, SOCKET.	SIZE: B C- TYPE: NONE DWG NO: RTOW71832S*H REVISION: B1 SCALE: NONE SHEET 1 OF 1

TITLE: ECO-MATE RECEPTACLE JAM NUT SIZE 18,32POS SOCKET
 DWG NO: RTOW71832S*H
 REV: B1
 SH: 1
 OF: 1