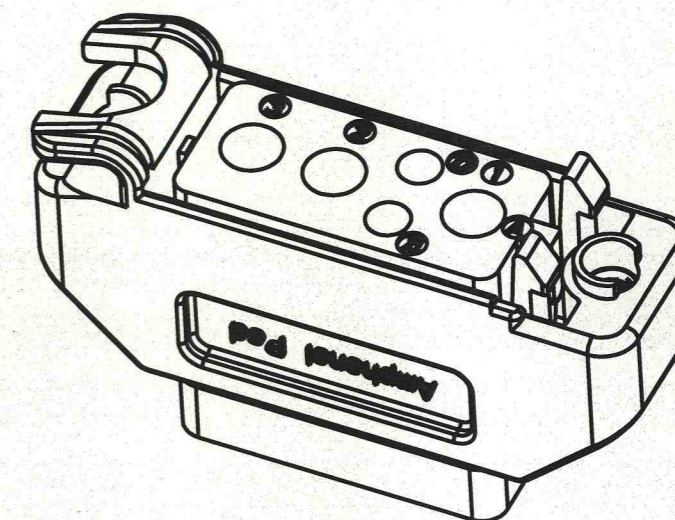
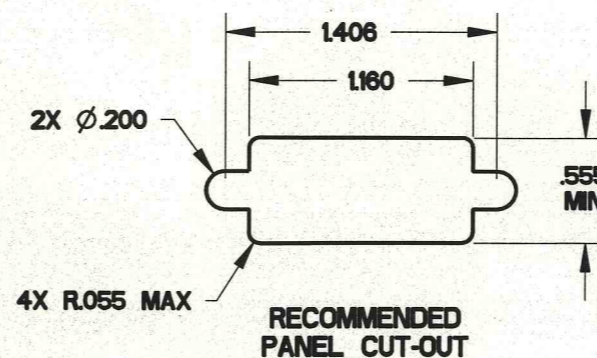
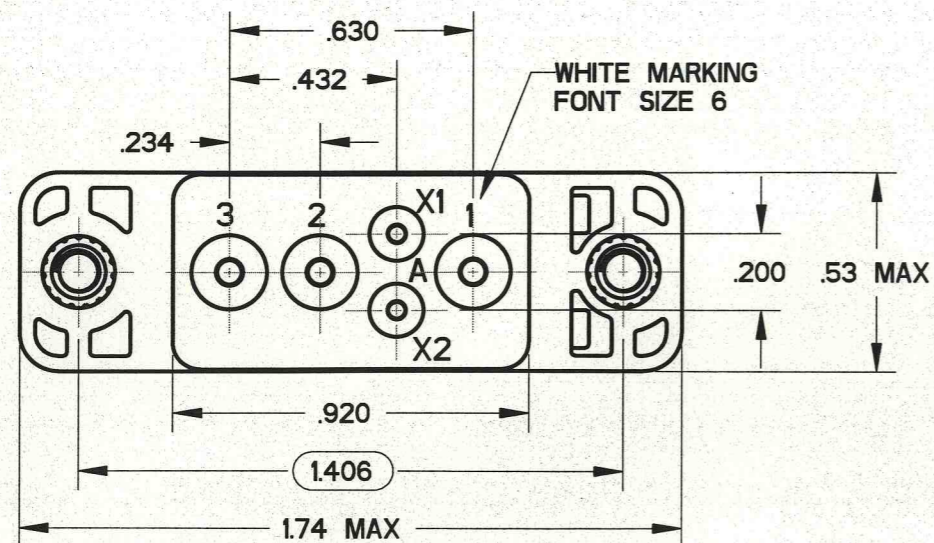
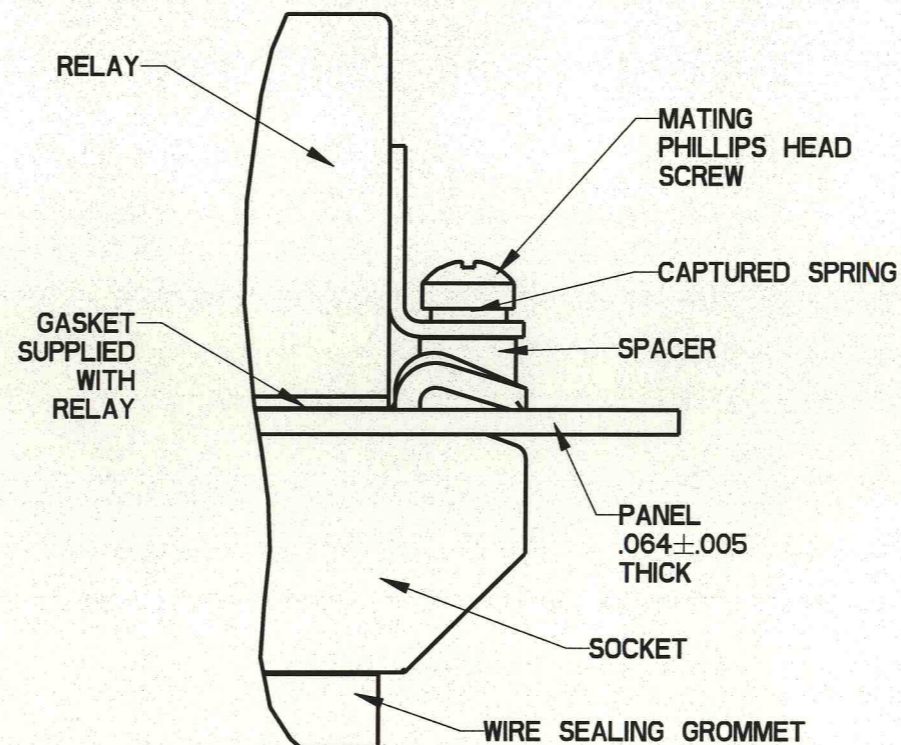
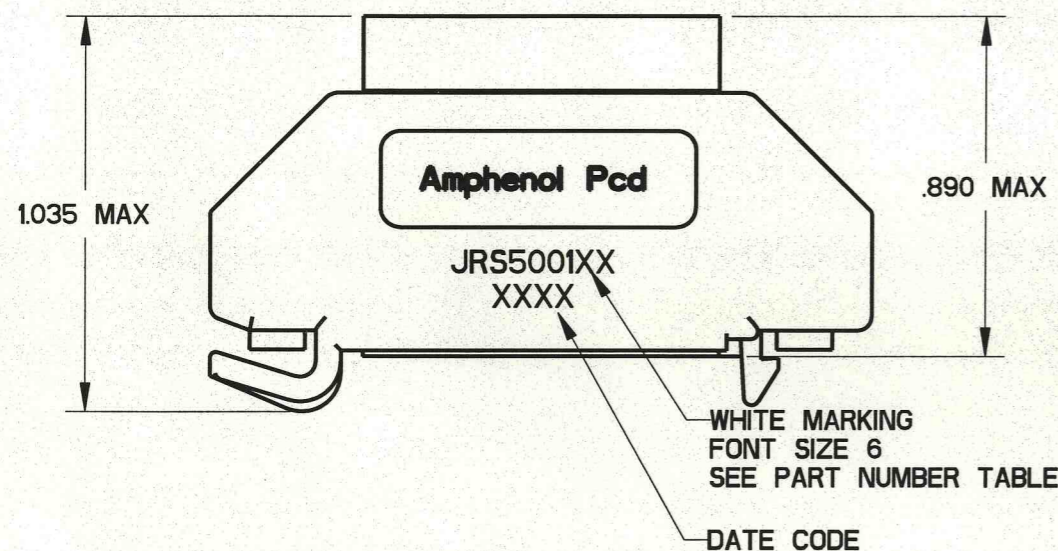


REV	ECN	APP'D
-	6215	JT 6/18/08
A	6299	JT 5-29-09



PART NUMBER TABLE

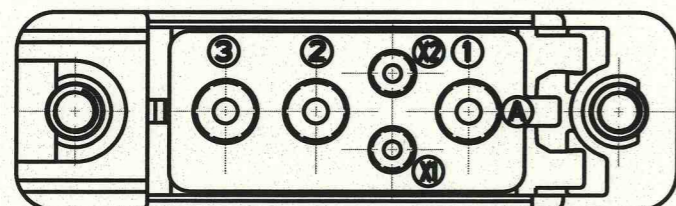
APCD P/N	HARDWARE PACKAGE	CONTACTS SUPPLIED
JRS500100	NONE	NONE
JRS500101	NONE	YES
JRS500110	YES	NONE
JRS500111	YES	YES



MOUNTING CONFIGURATION

NOTES:

- MATERIALS:
HOUSING: POLYETHERIMIDE PER ASTM-D5205
GROMMET: SILICONE RUBBER PER A-A-59588
THREADED INSERT: STAINLESS STEEL
- OPERATING RANGE:
TEMPERATURE: -65 °C TO 125 °C
INSULATION RESISTANCE: 1000 MEGOHMS MIN.
DIELECTRIC WITHSTANDING VOLTAGE: 1500 VRMS AT SEA LEVEL AND 500 VRMS AT 80,000 FT. ALTITUDE
VIBRATION: MIL-STD-202, METHOD 204, TEST CONDITION G
SHOCK: MIL-STD-202, METHOD 213, TEST CONDITION C
- PART ACCEPTS M39029/92-533 AND M39029/92-535 SOCKET CONTACTS, SIZE 16/16 AND SIZE 12/12.



DIMENSIONS ANSI Y14.5M UNITS: INCHES Pro/E FILE	TOLERANCES .XX ±0.01 .XXX ±0.005 ANGLES ±2.0°	PROJECTION 	Amphenol Pcd SPECIFICATION DRAWING		TITLE SNAP-IN RELAY SOCKET 1 POLE 3 POS. SIZE 12, 2 POS. SIZE 16		
			ENGR Frank.Li 07-Apr-08	SIZE B	DWG NO. JRS500100	REV A	
ORIGINAL 	THIS DOCUMENT CONTAINS PROPRIETARY INFORMATION WHICH IS THE CONFIDENTIAL PROPERTY OF AMPHENOL PCD INC., BEVERLY, MA		CHKD 5/29/09	APPD 5-29-09	CODE: 58982	SCALE: 2:1	SHEET 1 OF 1

JRS500100

JRS500100