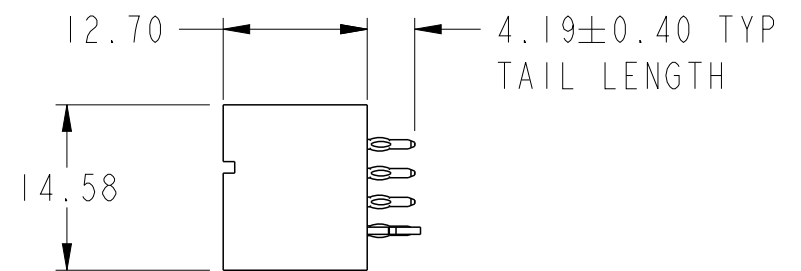
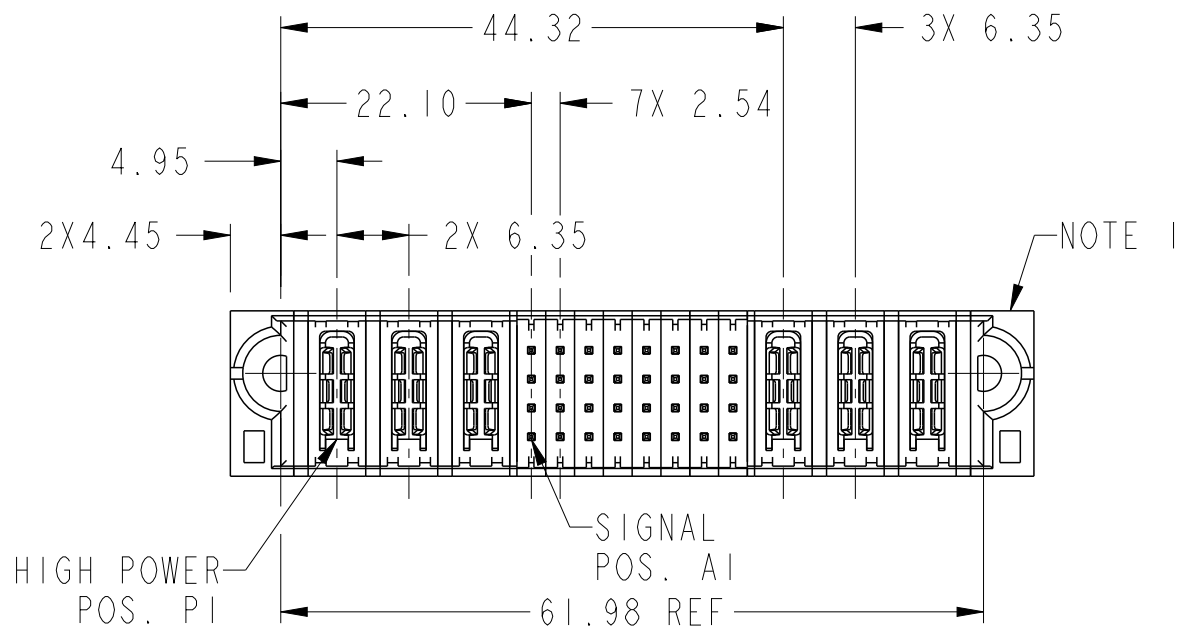
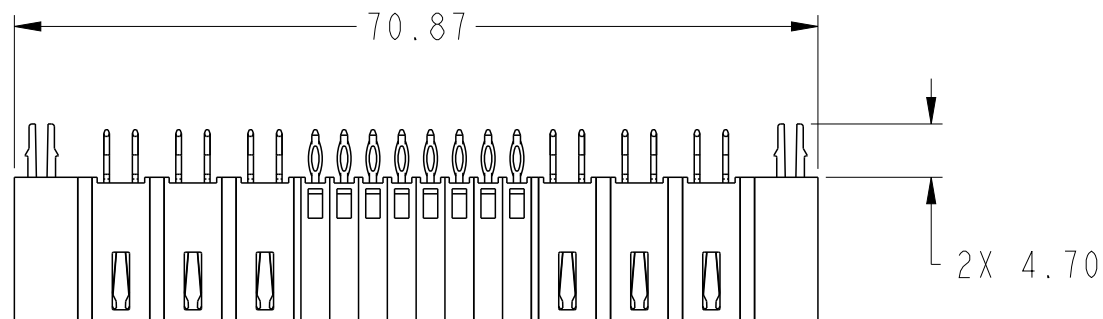
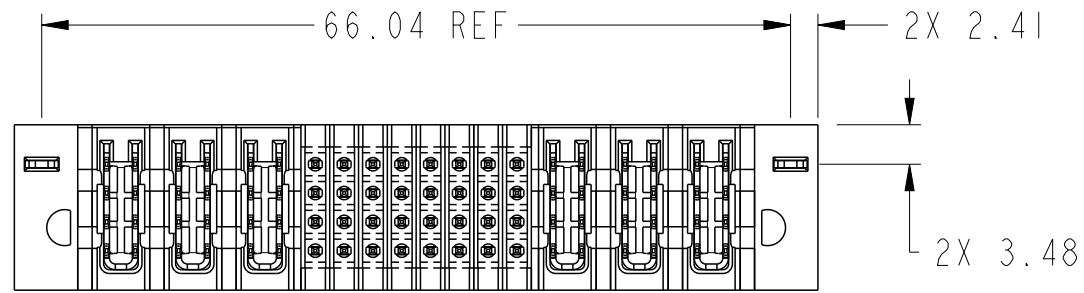


PART NUMBER SEE SHEET 2

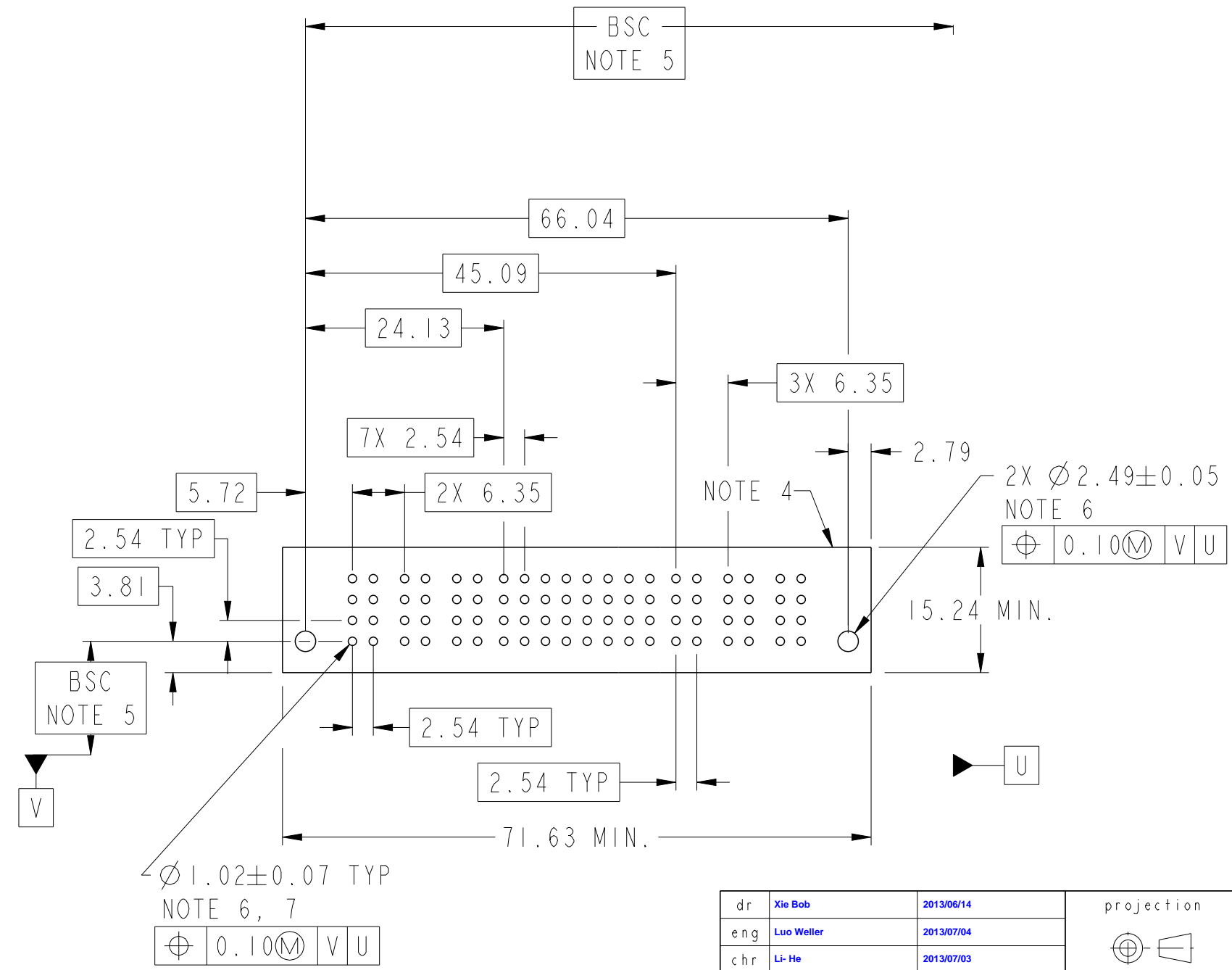


Copyright FCI.

spec ref	*	dr	Xie Bob	2013/06/14	projection	MM	size	A3	scale	3:2
tolerance std	ASME Y14.5	eng	Luo Weller	2013/07/04			ecn no	-	rel level	Released
TOLERANCES UNLESS OTHERWISE SPECIFIED		chr	Li-He	2013/07/03			product family	PwrBlade+		
surface	linear	appr	Pei-Ming Zheng	2013/07/04			dwg no	10106129-6008001	rev	A
ASME Y14.5	angular	www.fci.com		cat. no.	Product - Customer Drw			sheet 1 of 3		
	0.X	±0.5			3HP + 32S + 3HP					
	0.XX	±0.25			VERTICAL PF HEADER					
	0.XXX	±0.10								
	0°	±2°								

PRODUCT NO.	ROWS	HP			SIGNAL								HP			E2	
		E1	P1	P2	P3	1	2	3	4	5	6	7	8	P4	P5		P6
10106129-600800ILF	DCBA		H4	H4	H4	G	G	G	G	G	G	G	G	H4	H4	H4	

CODE	DESCRIPTION
G	STD SIGNAL CONTACT'
H4	STD HIGH POWER CONTACT'
HA	METAL HOLD DOWN



dr	Xie Bob	2013/06/14	projection	MM	size	A3	scale	3:2
eng	Luo Weller	2013/07/04		← →	ecn no	-		
chr	Li-He	2013/07/03			product family	PwrBlade+	rel level	Released
appr	Pei-Ming Zheng	2013/07/04	www.fci.com		cat. no.	Product - Customer Drw		sheet 2 of 3
					title 3HP + 32S + 3HP VERTICAL PF HEADER	dwg no 10106129-6008001	rev A	

Copyright FCI.

A

B

C

D

A

B

C

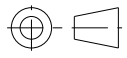
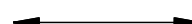

D

NOTES:

- 1) "FCI", PART NUMBER AND DATE CODE TO BE MARKED ON THIS SURFACE.  
THE MARK CAN BE OMITTED IF THERE IS NOT ENOUGH SPACE ON THIS SURFACE.
- 2) MATERIALS:  
-HOUSING - GLASS FILLED WITH HIGH TEMP THERMOPLASTIC, UL94V-0.  
-SIGNAL CONTACT - COPPER ALLOY.  
-POWER CONTACT - HIGH CONDUCTIVITY COPPER ALLOY.
- 3) PLATING SPECIFICATION REFER TO FCI 10116351
- 4) DENOTES CONNECTOR KEEP OUT ZONE.
- 5) DATUM AND BASIC DIMENSIONS WERE ESTABLISHED BY CUSTOMER.
- 6) ALL HOLE DIAMETERS ARE FINISHED HOLE SIZES.
- 7)  $1.15 \pm 0.025$ MM DRILLED HOLE PLATED WITH 0.00762MM MIN Sn  
OVER 0.0254-0.0762MM Cu PLATING TO ACHIEVE A  $1.02 \pm 0.07$ MM HOLE.
- 8) PRODUCT SPECIFICATION REFER TO FCI GS-12-658.  
APPLICATION SPECIFICATION REFER TO FCI GS-20-141.  
PRODUCT PACKAGED IN TRAYS, REFER TO FCI GS-14-1502.



Copyright FCI.

dr	Xie Bob	2013/06/14	projection 	MM 	size	A3	scale	3:2
eng	Luo Weller	2013/07/04			ecn no	-		
chr	Li-He	2013/07/03			rel level	Released		
appr	Pei-Ming Zheng	2013/07/04			product family	PwrBlade+		
		title 3HP + 32S + 3HP VERTICAL PF HEADER		dwg no 10106129-6008001	rev A			
<a href="http://www.fci.com">www.fci.com</a>		cat. no.	Product - Customer Drw		sheet 3 of 3			