

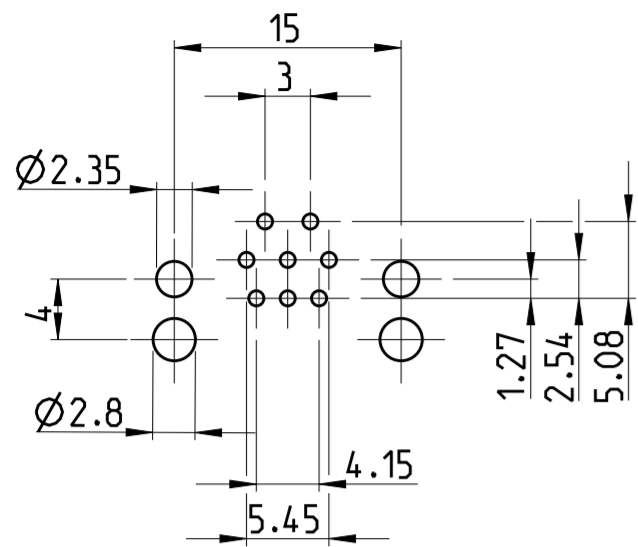
THIS DRAWING IS UNPUBLISHED. VERTRÄULICHE UNVERÖFFENTLICHTE ZEICHNUNG. RELEASED FOR PUBLICATION FREI FÜR VERÖFFENTLICHUNG. 2014. MATED WITH: PASSEND ZU: -

© COPYRIGHT 2014 Tyco Electronics AMP GmbH. ALL RIGHTS RESERVED. ALLE RECHTE VORBEHALTEN.

PROJEKT NR.: PRJ-11-000004377

REVISIONS		DATE	DWN	APVD
ÄNDERUNGEN				
DESCRIPTION				
BESCHREIBUNG				
P	LTR			
	A	28NOV2014	CR	JK

CONDUCTOR LAYOUT

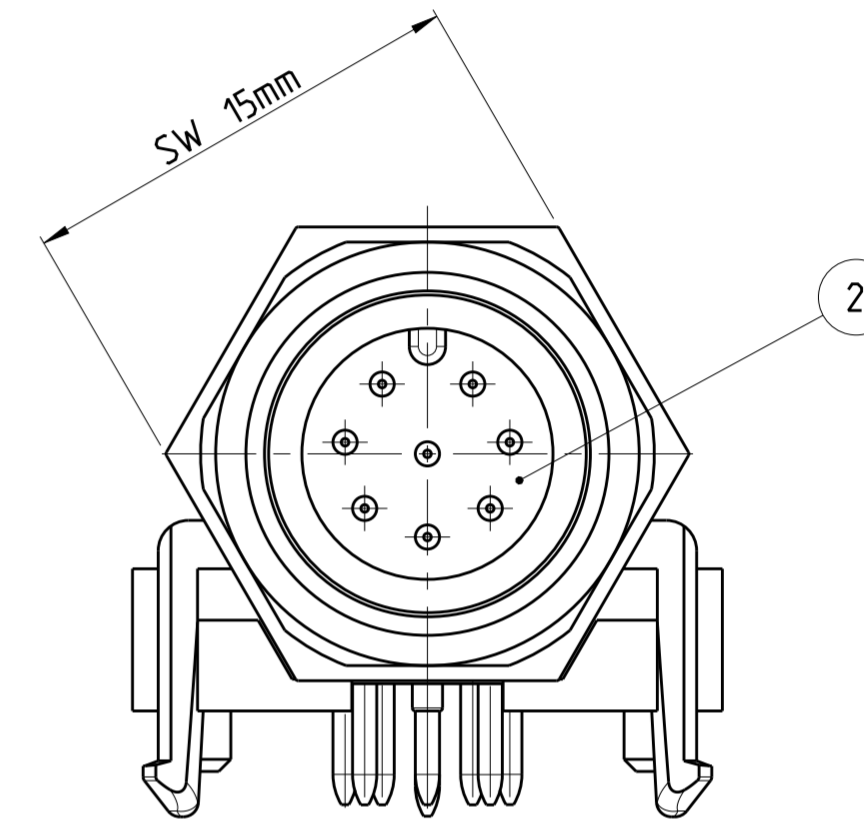
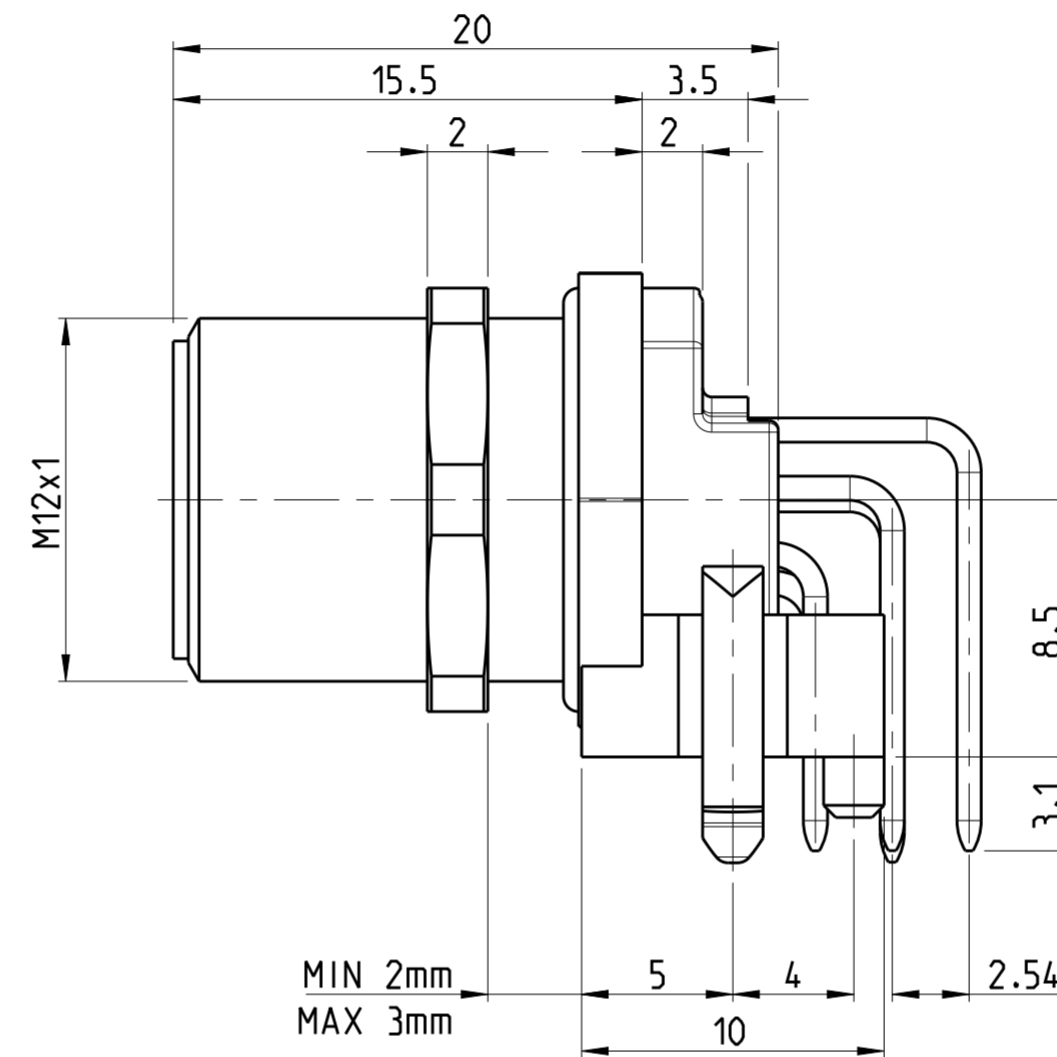
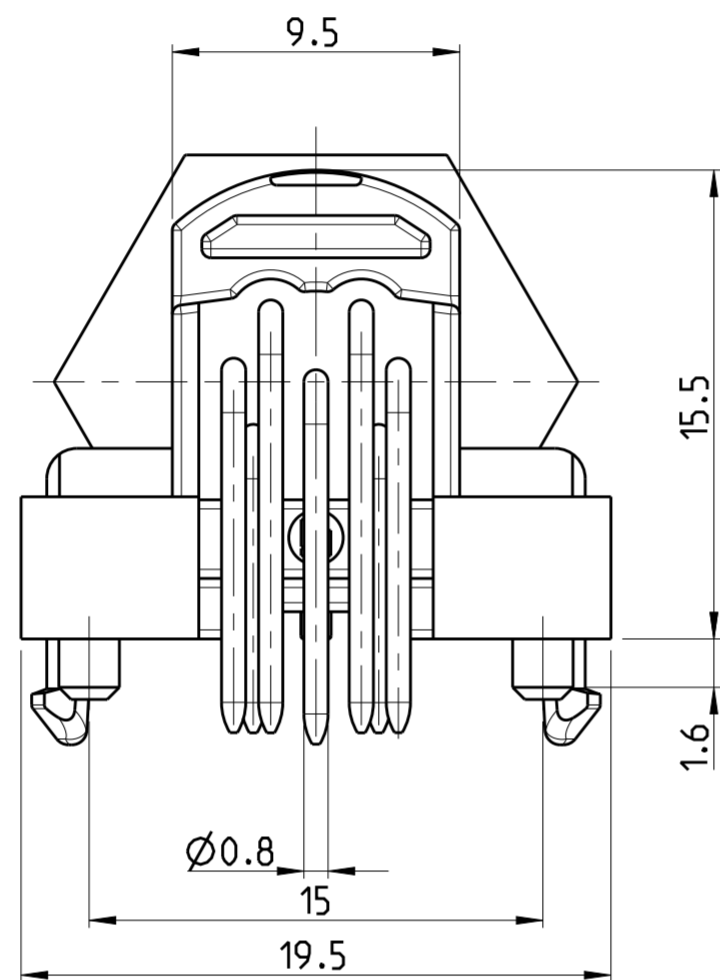


⚠ MATERIAL: ITEM NO. 1: HOUSING - CuZn (BRASS NICKEL PLATED)
 ITEM NO. 2: CONTACT BODY - PA
 ITEM NO. 3: CONTACT - CuSn (BRONZE)
 CONTACT FINISH - Au (GOLD)

2 ALL DIMENSIONS ARE FOR NOMINAL REFERENCE ONLY UNLESS OTHERWISE STATED

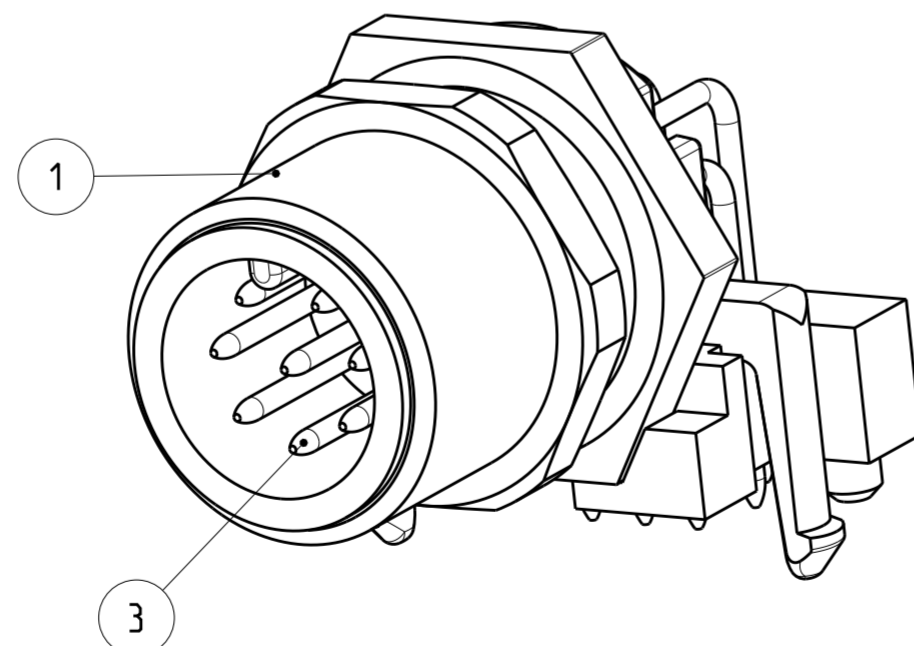
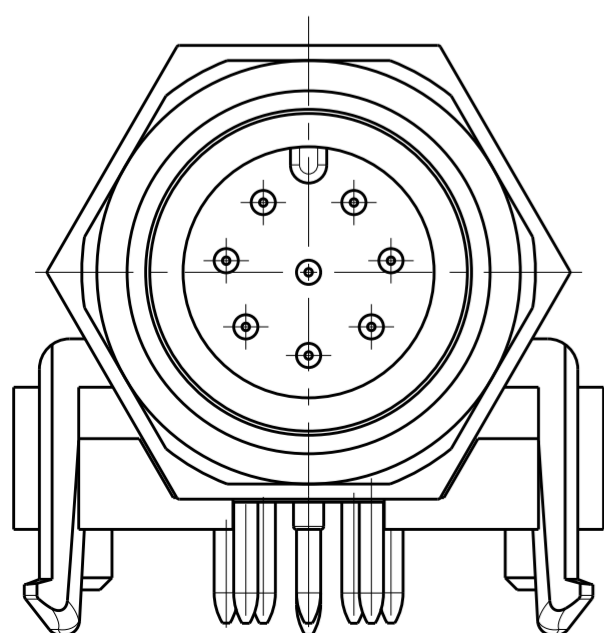
TECHNICAL DATA

	5-2172075-2
RATED VOLTAGE	60V
RATED IMPULSE VOLTAGE	800V
POLLUTION DEGREE	3
OVERVOLTAGE CATEGORY	II
MATERIAL GROUP	II
RATED CURRENT	2A
VOLUME RESISTIVITY	≤ 3mΩ
DEGREE OF PROTECTION	IP67
UPPER TEMPERATURE	+85 °C
LOWER TEMPERATURE	+40 °C



PIN ARRANGEMENT A-CODING

5-2172075-2



SIZE ISO 14405 ⓔ

DIESE ZEICHNUNG IST EIN KONTROLLIERTES DOKUMENT. BEMASSUNGEN UND TOLERANZEN GEMAESS GPS (ISO STANDARDS).

THIS DRAWING IS A CONTROLLED DOCUMENT. DIMENSIONING AND TOLERANCING PER GPS (ISO STANDARDS).

DIMENSIONS: MASSEINHEITEN: (MM)	TOLERANCES UNLESS OTHERWISE SPECIFIED: ALLGEMEINTOLERANZEN
0 PLC ±	1 PLC ±
1 PLC ±	2 PLC ±
2 PLC ±	3 PLC ±
3 PLC ±	4 PLC ±
4 PLC ±	ANGLES/WINKEL ±
	FINISH/OBERFLÄCHE/FARBE

MATERIAL	-
	-
	-

DWN	YASHKUMAR	09AUG2014
CHK	M. BRUBAKER	09AUG2014
APVD	M. BRUBAKER	09AUG2014
PRODUCT SPEC	108-19483	
APPLICATION SPEC	114-32127	
WEIGHT	-	
Customer Drawing		

⚠	8	5-2172075-2
MATERIAL	NUMBER OF POLES	TE-PART-NO.

STE TE Connectivity

M12 MALE CONNECTOR, PCB ASSEMBLY, ANGLED, A CODING

SIZE	CAGE CODE	DRAWING NO. ZEICHNUNGS-NR.	RESTRICTED TO NUR FÜR
A2	00779	C-2172075	-
SCALE MASSSTAB	1:1	SHEET BLATT	1 OF 1
REV	A		