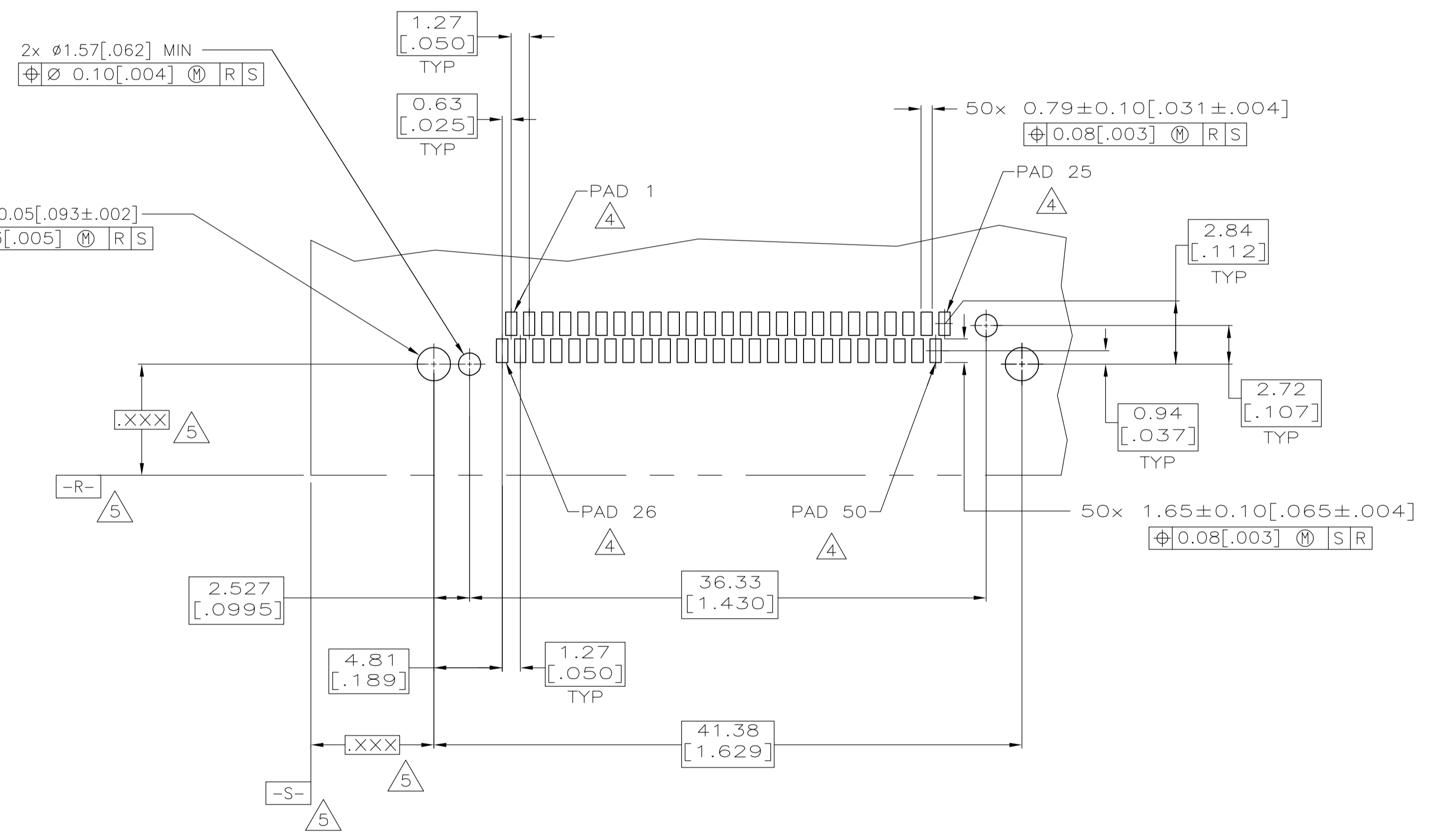


- 1 HOUSING: POLYESTER LIQUID CRYSTAL, BLACK
CONTACTS: BRASS.
- 2 CONTACTS: 0.76 μm [.000030] MIN GOLD FOR A LENGTH OF 3.50 [.138] MIN FROM MATING END, 3.81 μm [.000150] MIN TIN ON SOLDER TAILS, ALL OVER 1.27 μm [.000050] MIN NICKEL.
- 3 POSITION TOLERANCE APPLIES AT CONTACT TIP.
- 4 POSITION NUMBERS SHOWN FOR REFERENCE ONLY.
- 5 DATUMS AND BASIC DIMENSIONS ESTABLISHED BY CUSTOMER.
- 6. CUSTOMER TO PROVIDE CARD GUIDANCE SYSTEM.
- 7. CONNECTOR REQUIRES USE OF 2 - SIZE 2M SCREWS FOR FASTENING TO PRINTED CIRCUIT BOARD.



1, 13, 38, 50	ALL OTHER PINS	25, 26	5788667-1
5.00 [.197]	4.25 [.167]	3.50 [.138]	PART NUMBER
"L" (PIN LENGTH) AND LOCATION			

THIS DRAWING IS A CONTROLLED DOCUMENT.		DIN G.PETES 25NOV05		Tyco Electronics Corporation	
DIMENSIONS: mm [INCHES]		CHK D.GORENC 25NOV05		Harrisburg, PA 17105-3608	
TOLERANCES UNLESS OTHERWISE SPECIFIED:		APPD M.WALMSLEY 25NOV05		NAME	
0 PLC	± -	PRODUCT SPEC			
1 PLC	± -	APPLICATION SPEC			
2 PLC	± 0.13 [.005]	SIZE			
3 PLC	± -	CAGE CODE			
4 PLC	± -	DRAWING NO			
ANGLES	± -	RESTRICTED TO			
MATERIAL	1	WEIGHT		A1 00779 C=5788667	
FINISH	2	CUSTOMER DRAWING		SCALE 4:1 SHEET 1 OF 1 REV 0	