

MATERIALS AND FINISHES

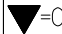
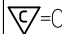
SEE SD-73415-106

P/N: 73366-6330: THIS IS P/N: 73415-1063 PLACED IN A SINGLE BAG WITH LABEL

CHG: RELEASE
DRAWING.

EC NO: URF-2011-0652
DRAWN: AROBERTSON 2011/05/04
CHKD: SSS 2011/05/04
APPR: JWIENER 2011/05/05

DESCRIPTION

QUALITY SYMBOLS
 =0
 =0

GENERAL TOLERANCES (UNLESS SPECIFIED)


	mm	INCH
4 PLACES	± .---	± .---
3 PLACES	± .---	± .---
2 PLACES	± .---	± .---
1 PLACE	± .---	± .---
ANGULAR	± .---°	

DRAFT WHERE APPLICABLE
MUST REMAIN
WITHIN DIMENSIONS

DIMENSION STYLE
MM/IN

DRAWN BY	DATE
AROBERTSON	2011/05/04
CHECKED BY	DATE
SSS	2011/05/04
APPROVED BY	DATE
JWIENER	2011/05/05

MATERIAL NO. **SEE TABLE**

SCALE	DESIGN UNITS	TITLE
	METRIC	MCX JACK EDGELAUNCH SMT PCB MCX-J/PCB
		MOLEX INCORPORATED
DOCUMENT NO. SD-73366-633		SHEET NO. 1 OF 1

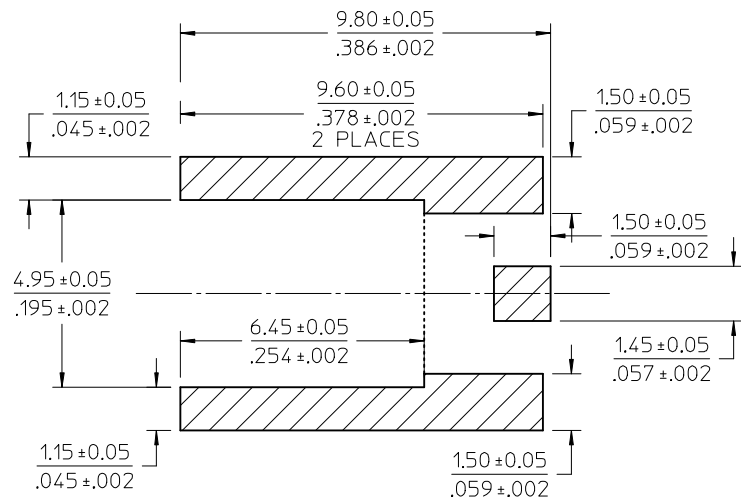
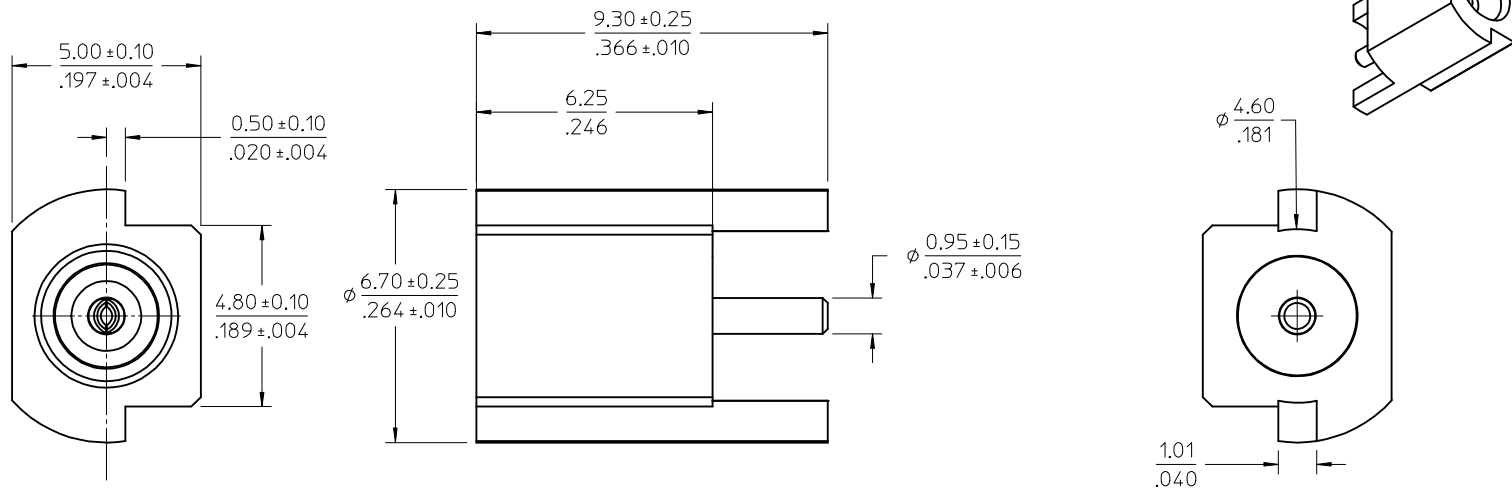
THIS DRAWING CONTAINS INFORMATION THAT IS PROPRIETARY TO MOLEX INCORPORATED AND SHOULD NOT BE USED WITHOUT WRITTEN PERMISSION

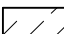
MATERIAL&FINISHES:

BODY: BRASS
PLATING: SEE TABLE

CONTACT: BERYLLIUM COPPER
PLATED GOLD

INSULATOR: TEFLON

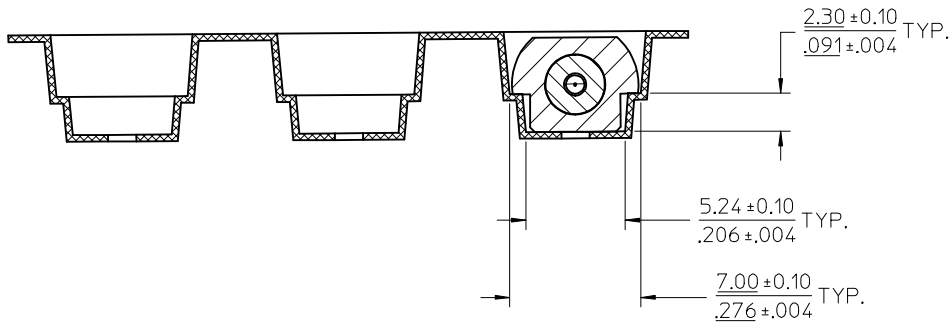
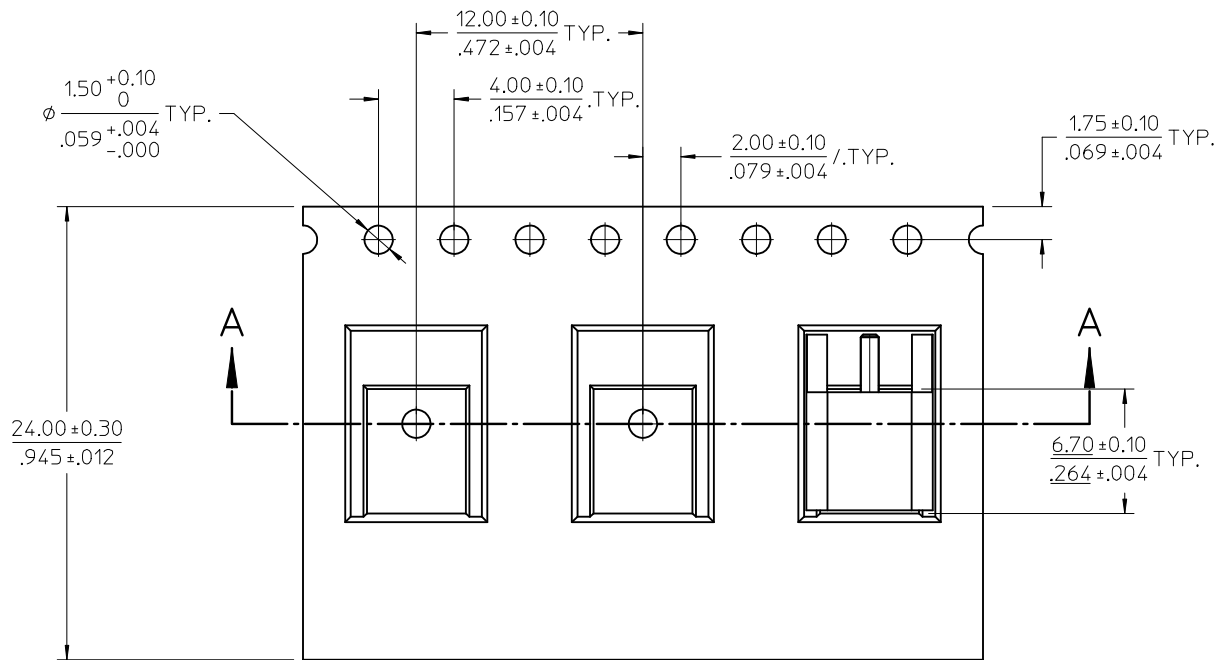


RECOMMENDED PCB LAYOUT  SOLDER PAD

73366-6330	GOLD FLASH	ONE PIECE PER BAG
73415-1069	GOLD (5u")	TAPE AND REEL
73415-1068	GOLD (5u")	TRAY
73415-1067	TRI-M	SMALL TRAY
73415-1066	TRI-M	TAPE AND REEL
73415-1065	TRI-M	TRAY
73415-1064	GOLD FLASH	TAPE AND REEL
73415-1063	GOLD FLASH	TRAY
73415-1062	GOLD (30u")	SMALL TRAY
73415-1061	GOLD (30u")	TAPE AND REEL
73415-1060	GOLD (30u")	TRAY
PART NO.	BODY PLATING	PACKAGING

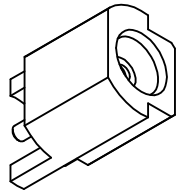
PS-89675-1830	PRODUCT SPECIFICATION
CECC-22-220	INTERFACE
SPECIFICATION	DESCRIPTION

ADDED SHEET 4 PER RF13-E035 EC NO: URF2013-0179 DRWNLIN 2012/09/19 CHKD: APPR: MHIANG 2012/10/04 DESCRIPTION	QUALITY SYMBOLS	GENERAL TOLERANCES (UNLESS SPECIFIED)	DIMENSION STYLE	SCALE	DESIGN UNITS	THIRD ANGLE PROJECTION	
	$\nabla=0$	mm INCH	MM/IN	10:1	METRIC		
	$\nabla=0$	4 PLACES \pm --- \pm ---	DRAWN BY DATE	EDC 1999/02/15	TITLE	MCX JACK EDGE MOUNT PCB RECEPTACLE MCX-J/PCB	
	$\nabla=0$	3 PLACES \pm --- \pm ---	CHECKED BY DATE	DHG 1999/02/15			
	2 PLACES \pm --- \pm ---	APPROVED BY DATE	GMH 1999/02/15	DOCUMENT NO.			
	1 PLACE \pm --- \pm ---	ANGULAR $\pm 2^\circ$		SEE TABLE			1 OF 4
	0 PLACE \pm --- \pm ---	DRAFT WHERE APPLICABLE MUST REMAIN WITHIN DIMENSIONS		THIS DRAWING CONTAINS INFORMATION THAT IS PROPRIETARY TO MOLEX INCORPORATED AND SHOULD NOT BE USED WITHOUT WRITTEN PERMISSION			

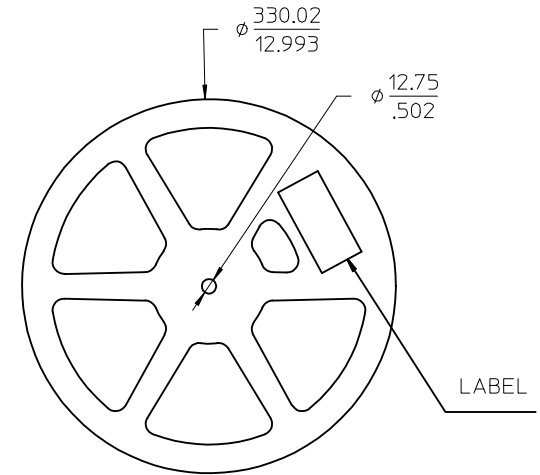
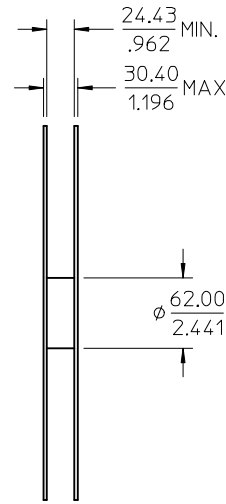


SECTION A-A

SEE SHEET 1 EC NO: URF2013-0179 DRAWN BY: DRWNLIN 2012/09/19 CHKD: APPR:MHUANG 2012/10/04 A13	QUALITY SYMBOLS	GENERAL TOLERANCES (UNLESS SPECIFIED)	DIMENSION STYLE	SCALE	DESIGN UNITS	THIRD ANGLE PROJECTION
	▽=0	mm INCH	MM/IN	5:1	METRIC	
	▽=0	4 PLACES ± --- ± ---	DRAWN BY DATE	TITLE		
	▽=0	3 PLACES ± --- ± ---	CHECKED BY DATE	MCX JACK EDGE MOUNT PCB RECEPTACLE MCX-J/PCB		
		2 PLACES ± --- ± ---	APPROVED BY DATE	molex DOCUMENT NO. SD-73415-106 SHEET NO. 2 OF 4		
		1 PLACE ± --- ± ---	GMH 1999/02/15			
		0 PLACE ± ±	MATERIAL NO.	THIS DRAWING CONTAINS INFORMATION THAT IS PROPRIETARY TO MOLEX INCORPORATED AND SHOULD NOT BE USED WITHOUT WRITTEN PERMISSION		
		ANGULAR ± 2 °	SEE SHEET 1			
		DRAFT WHERE APPLICABLE MUST REMAIN WITHIN DIMENSIONS				

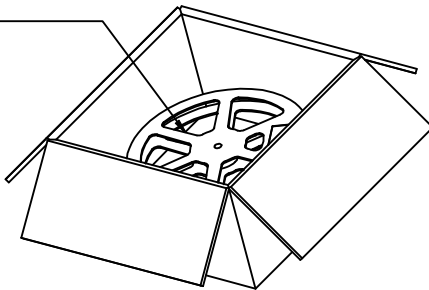


PART NO.73415-1061, 73415-1064
73415-1066, 73415-1069

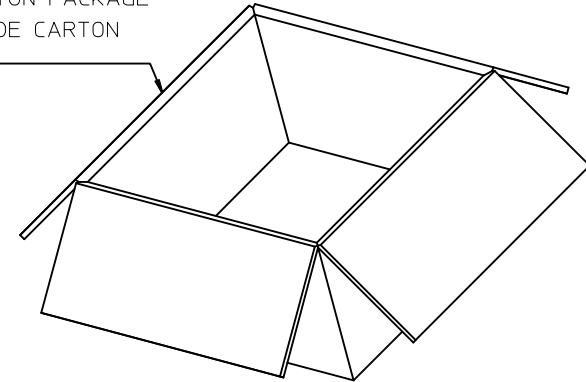


THE PART PACKAGE 1000 PCS PER ONE REEL

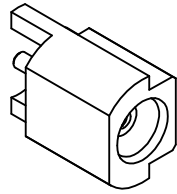
5 REELS (5000 PCS) PACKAGE
PER ONE INNER CARTON



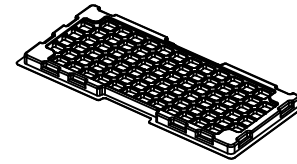
ONE INNER CARTON PACKAGE
PER ONE OUTSIDE CARTON



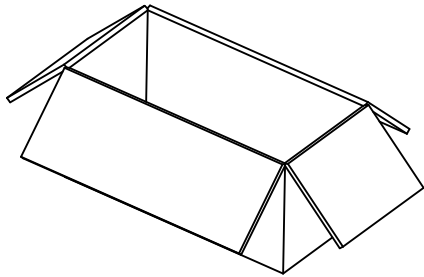
SEE SHEET 1 EC NO: URF2013-0179 DRAWN IN 2012/09/19 CHKD: APPR: MHIANG 2012/10/04	QUALITY SYMBOLS ▽=0 ▽=0 ▽=0	GENERAL TOLERANCES (UNLESS SPECIFIED)		DIMENSION STYLE MM/IN		SCALE 5:1	DESIGN UNITS METRIC	THIRD ANGLE PROJECTION	
		mm	INCH	DRAWN BY EDC	DATE 1999/02/15	TITLE MCX JACK EDGE MOUNT PCB RECEPTACLE MCX-J/PCB			
A13	DESCRIPTION REV	4 PLACES	±	±	CHECKED BY DHG	DATE 1999/02/15	molex		
		3 PLACES	±	±	APPROVED BY GMH	DATE 1999/02/15			
		2 PLACES	±	±	MATERIAL NO.		DOCUMENT NO.		SHEET NO.
		1 PLACE	±	±	SEE SHEET 1		SD-73415-106		3 OF 4
		0 PLACE	±	±	DRAFT WHERE APPLICABLE MUST REMAIN WITHIN DIMENSIONS				
		ANGULAR ± 2 °		THIS DRAWING CONTAINS INFORMATION THAT IS PROPRIETARY TO MOLEX INCORPORATED AND SHOULD NOT BE USED WITHOUT WRITTEN PERMISSION					



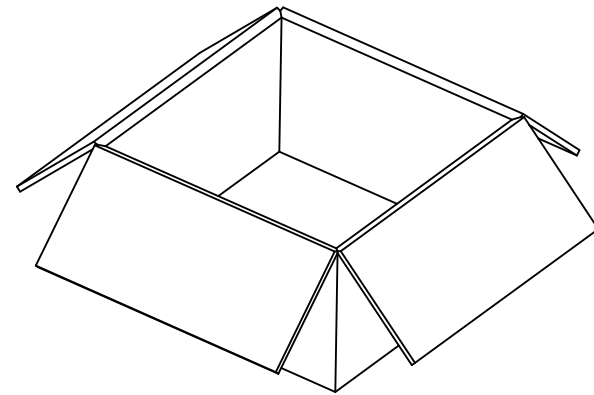
PART NO.73415-1060, 73415-1063
73415-1065, 73415-1068



80 SET PER TRAY
P/N: 89707-0190



1600 SET PER INNER CARTON BOX
P/N: 96707-0001



3200 SET PER OUTER CARTON BOX
P/N: 96708-0005

SEE SHEET 1 EC NO: URF2013-0179 DRAWN:LIN 2012/09/19 CHKD: APPR:MHUANG 2012/10/04	QUALITY SYMBOLS	GENERAL TOLERANCES (UNLESS SPECIFIED)		DIMENSION STYLE MM/IN		SCALE 1:5	DESIGN UNITS METRIC	THIRD ANGLE PROJECTION	
	▽=0	mm	INCH	DRAWN BY	DATE	TITLE MCX JACK EDGE MOUNT PCB RECEPTACLE MCX-J/PCB			
	▽=0	4 PLACES ± --- ± ---	3 PLACES ± --- ± ---	EDC	1999/02/15				
	▽=0	2 PLACES ± --- ± ---	1 PLACE ± --- ± ---	CHECKED BY	DATE	DOCUMENT NO. SD-73415-106			
▽=0	0 PLACE ± --- ± ---	ANGULAR ± 2 °	DHG	1999/02/15	SHEET NO. 4 OF 4				
REV	DESCRIPTION	DRAFT WHERE APPLICABLE MUST REMAIN WITHIN DIMENSIONS		APPROVED BY GMH					DATE 1999/02/15
A13				SEE SHEET 1					